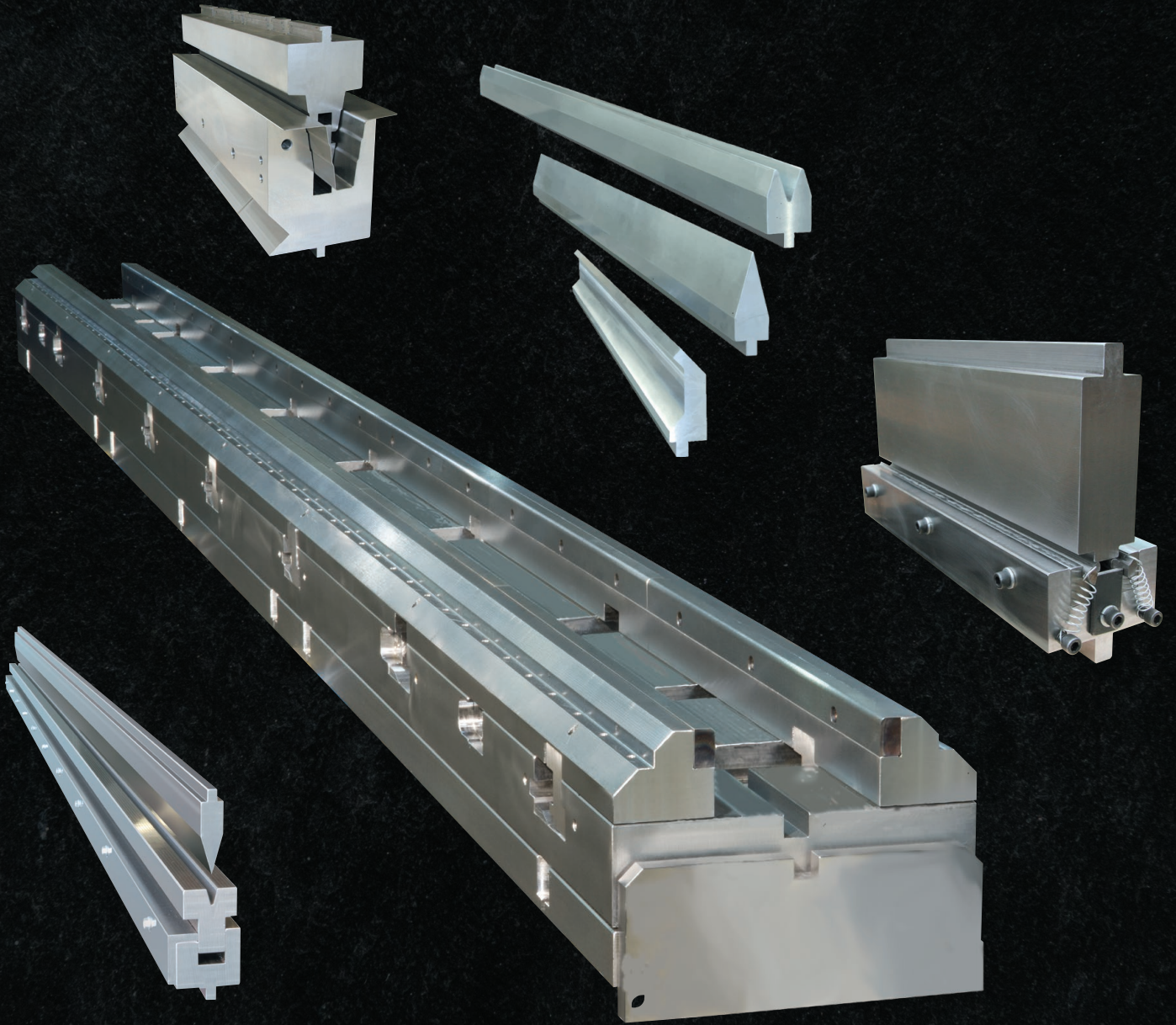




CUSTOM TOOLING SELECTIONS



ACCURPRESS

COMPLETE TOOLING SYSTEMS

WHY CHOOSE ACCURPRESS TOOLING?

Whether you are looking for standard tooling or special application configurations, Accurpress is committed to the highest level of quality and customer satisfaction. Accurpress Tooling System's primary purpose is to provide you with cost effective, high quality solutions for your forming needs. Our innovative manufacturing processes and attention to detail ensure you the best possible value with Accurpress Tooling.

Creativity and integrity are the cornerstones of our design process, thus enhancing productivity and flexibility of your press brake utilization. Accurpress uses only the finest quality materials to deliver long-life and utmost accuracy from all our products. You can rely on our experience and craftsmanship to facilitate your success.

ACCURPRESS PREMIUM TOOLING

1 Full Line

Accurpress produces a full line of value-priced press brake tooling available in lengths up to 24', for coining and air bending applications. All tooling can be provided in either planed or ground finishes.

The line includes:

- Custom designs for your special applications
- 85° and 90° forming punches & dies
- Four-way dies
- Gooseneck punches
- 30° forming punches & dies
- Offset die
- Flattening & hemming die
- Rib Dies
- Channel-lock adjustable die
- Conventional and four-way die holders

2 Service

We offer full technical and applications support to back up our product line. Whatever your forming problem, consult us and will provide you with the cost effective solution.

3 Important Options

We offer options such as flame-hardening and polishing of working radii. We can also produce all tooling with whatever style of holding tang you require to suit your machine. All options are quoted on request.

4 Certified Materials

We select only the highest quality pre-hardened brake die material available to manufacture Accurpress Quality Certified Tooling... using 4150 steel with a hardness of 270-300 Brinell, 28-32 HRC.

5 Quality Standards

We produce quality tooling. Each tool is carefully machined with fine finishes, straightened and measured with precision gauges to ensure tolerance that exceed industry standards. Prior to shipment, all tools are coated with a durable rust-proofing compound before packing into crates.

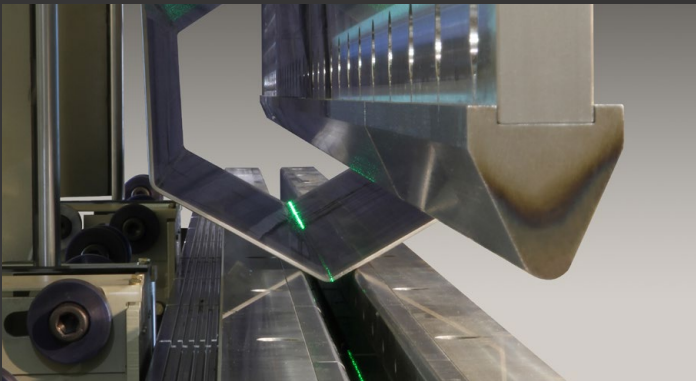
6 Fast Delivery

We make it our goal to provide delivery times that are among the fastest in the industry—thanks to our comprehensive, in-depth stocking program.

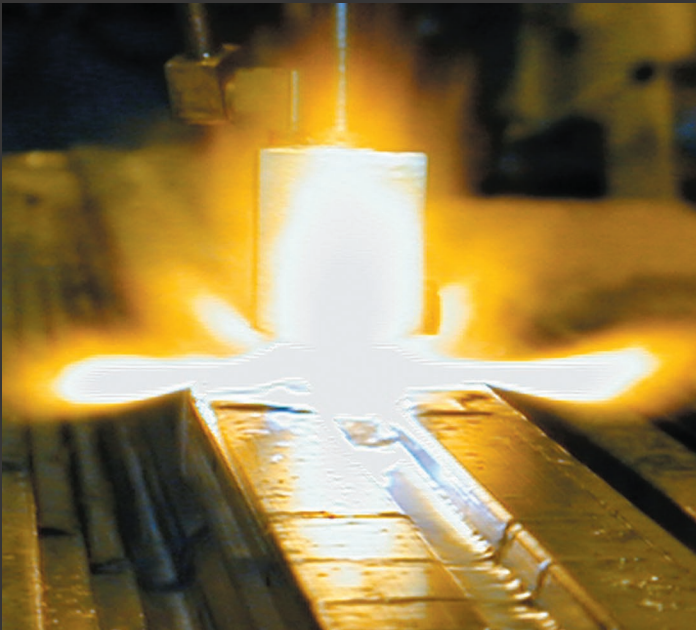
See the complete Accurpress product line at www.accurpress.com.

Press Brakes • Shears • Controls • Gauging Systems • Tooling • Clamping Systems • Die Holders • Accessories • Safety Options • Financing

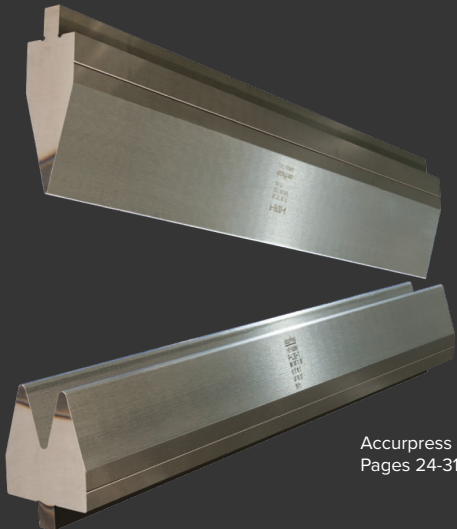
For additional information, or to locate your nearest Accurpress dealer please contact us Toll Free at **877-633-8665**.



Accurpress Custom Tooling.
Pages 8.



Flame hardening.
Page 12.



Accurpress Precision Tooling.
Pages 24-31.

CONTENTS

GENERAL PURPOSE TOOLING

- Adjustable Channel-lock Dies. 4
- Custom Tooling 8
- Accurcrown 10
- Accurcrown Clamping Options..... 11
- Polished Dies/Protective Die Film..... 12
- Flame Hardening..... 12
- European Ram Adaptor 13
- General Purpose Tooling Segmentation..... 15
- General Purpose Tooling Set Build Guide 16
- Die Holders & 4-Way Dies 17
- 85° – 90° Forming Punches & Dies 18
- 30° Forming Punches & Dies..... 19
- Gooseneck Punches & Dies 20
- Allowable Return Flanges 21
- Offset & Flattening Dies..... 22
- Hemming Dies & Ram Adaptors..... 23

Standard Power-lock Dies

ACCURPRESS PRECISION TOOLING

- Precision Tooling Introduction 24
- 80° Forming Punches 25
- 80° Dies..... 26
- 30° Forming Punches 28
- 30° Dies..... 29
- Gooseneck Punches 30

REFERENCE

General Reference

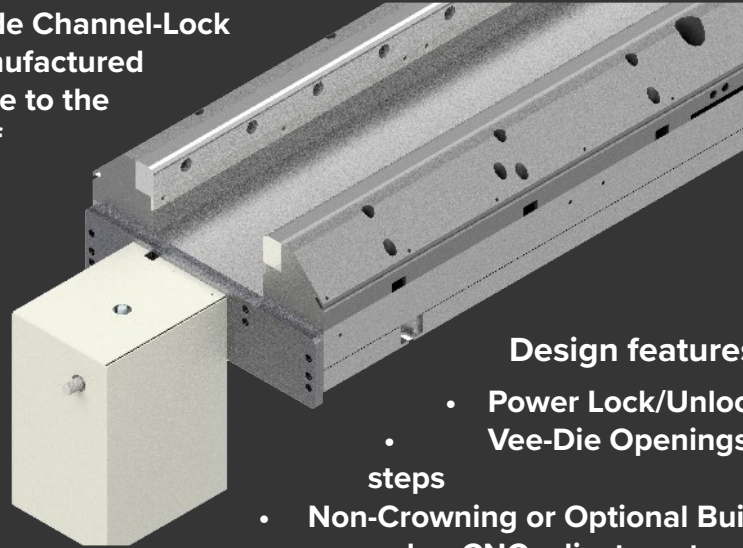
- Tang Configurations 13

Tonnage Chart

- Mild Steel Bending Tonnages Chart 14

UNIVERSAL CHANNEL-LOCK ADJUSTABLE DIES

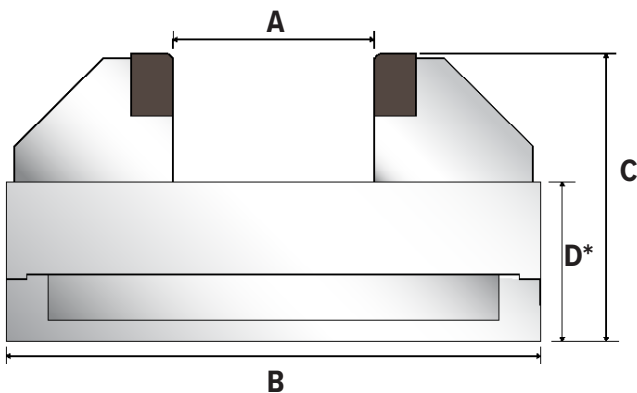
North American made Channel-Lock Adjustable Dies manufactured by Accurpress...made to the highest standards of precision...offering the best solutions to press brake operators.



Design features and options include:

- Power Lock/Unlock System
- Vee-Die Openings at 1" or optional 1/2" steps
- Non-Crowning or Optional Built-in Crowning with manual or CNC adjustment
- Manual Vee-Die or Optional CNC adjustment
- Replaceable Flame Hardened Inserts

Adjustable Vee Die Standard Dimensions



Model **	A	B	C	D
1 x 6 w/ Crowning	6	16	8.625	4.75
1 x 6 w/o Crowning	6	16	7.125	3.25
1 x 8 w/ Crowning	8	18	9.125	4.75
1 x 8 w/o Crowning	8	18	7.625	3.25
1 x 10 w/ Crowning	10	21	9.8	4.75
1 x 10 w/o Crowning	10	21	8.3	3.25
1 x 12 w/ Crowning	12	26	11.625	5.5
1 x 12 w/o Crowning	12	26	9.875	3.75

* Base height is dependent upon use of Crowning. Non Crowning Adjustable Vee Dies have a lower solid base.

** Channel-lock Adjustable Vee Dies may be produced in other sizes. Consult with your Dealer and Accurpress Tooling Specialists for channel-lock recommendations to satisfy your application needs.

The highest per/ft tonnage ratings are achievable on the 1" incremental step opening Adjustable Vee Dies. The per/ft tonnage ratings are reduced on the 1/2" incremental step opening adjustable dies.

VERSATILITY AND PRODUCTIVITY ADVANTAGES

To maximize efficiency in plate forming applications, the Accurpress Universal Channel-lock die is the best choice and is strongly recommended in shops that are bending heavy plate in various thicknesses. The Accurpress Channel-lock Die offers press brake operators the maximum in flexibility and cost-saving measures. We manufacture units in sizes as defined on page 4, and will review any and all possibilities to provide a Channel-lock in additional sizes suited precisely with the necessary optional accessories to provide longevity, precision and reliability.

INCREASE proficiencies, production and profits with one press brake die suitable for a larger range of jobs.

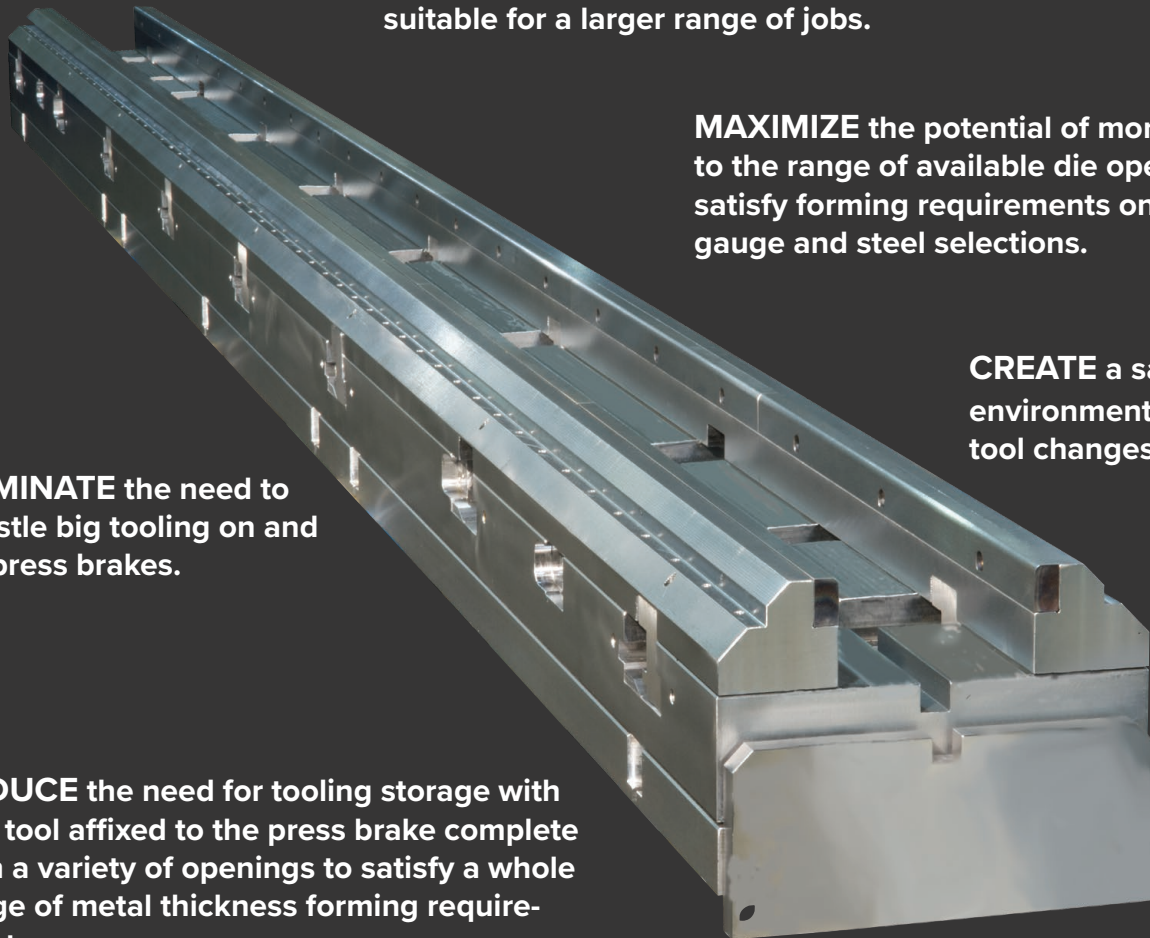
MAXIMIZE the potential of more jobs due to the range of available die openings to satisfy forming requirements on various gauge and steel selections.

CREATE a safer work environment with fewer tool changes.

ELIMINATE the need to wrestle big tooling on and off press brakes.

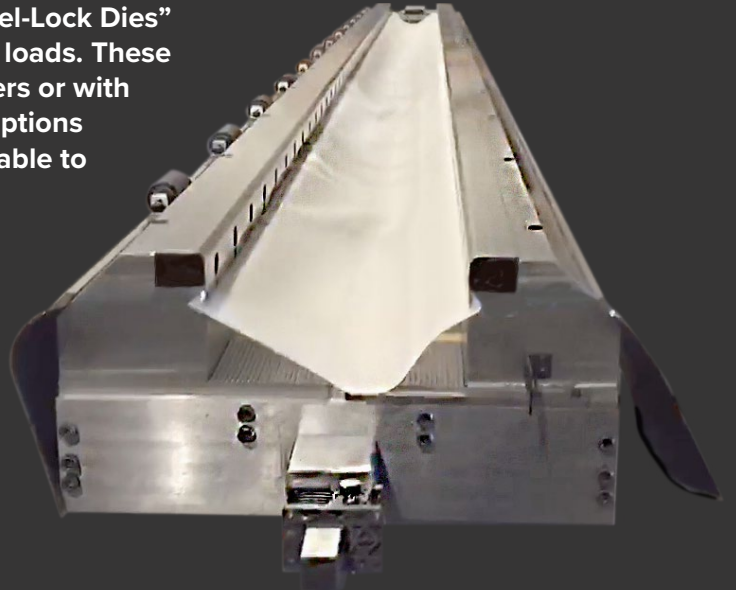
REDUCE the need for tooling storage with one tool affixed to the press brake complete with a variety of openings to satisfy a whole range of metal thickness forming requirements.

EXTENDED LIFE with the replaceable hardened radiused shoulder Inserts.



SUPER HEAVY-DUTY AND CUSTOMIZED CHANNEL-LOCK DIES

Accurpress manufactures “Super Heavy-Duty Channel-Lock Dies” for the most demanding jobs with high concentrated loads. These dies may be purchased with Manual Lock/Unlock risers or with an Optional Power Lock/Unlock System. Additional options such as Crowning and Vee-Die adjustability are available to satisfy the many forming requirements.



**NO JOB IS TOO BIG FOR
ACCURPRESS!!!!**

Accurpress Tooling Specialists will define and recommend the best possible solutions for the endless special applications that exist.



Massive Channel-lock produced for a high tonnage Accurpress with up to 30-inches of Vee-die openings for forming between the side frames of the press brake.

CROWNABLE CHANNEL-LOCK OPTIONS AND ACCESSORIES



AiM Angle Measuring System

For the ultimate in heavy metal forming accuracy, Accurpress offers the AiM angle measuring system imbedded into the top risers. The AiM operates via sensors that detect slight variations in material thickness and spring back and makes instant adjustments resulting in highly precise formed pieces

1/2" Minimum Vee-opening w/ 1/2" incremental Vee-openings

The Channel-lock may be purchased with the option for 1/2" increments and 1/2" minimum vee openings in lieu of 1" increments and 1" minimum opening. (See the per foot tonnage notation on page 4 concerning this option.)

CNC Vee-opening Adjustment

To maximize efficiency and productivity, Accurpress offers a CNC Vee-opening Adjustment option integrated into the ETS3000 or the VISION Control. The risers will position to the specific programmed opening.

Crowning Adjustment

Channel-locks manufactured by Accurpress may be purchased with the optional built-in crowning system. An excellent feature for the majority of forming applications. Crowning may be adjusted manually, or may be ordered with the optional CNC power drives configured to Accurpress control systems.

Plate Rollers

To provide further ease of moving heavy plate into position, plate rollers mounted in the top Channel-lock risers may be purchased.



ACCURPRESS CUSTOM TOOLING TO YOUR SPECIFICATIONS

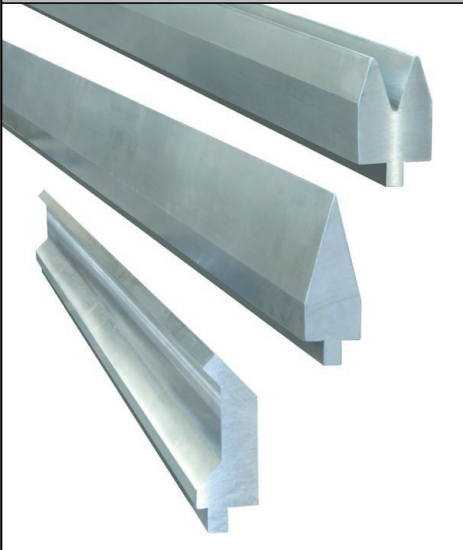
Accurpress Has Your Custom Tooling Solutions. Dedicated Tooling Specialists are Just a Phone Call Away!

We have several dedicated tooling specialists on staff to provide cost effective solutions for your special forming requirements.

Accurpress offers turnkey applications – tested and proven in our factory. Turn to Accurpress for great service, timely delivery and competitive pricing.

For further tooling and dealer information, call Accurpress Tooling Systems at 1-877-633-8665.

High Tolerance Tooling



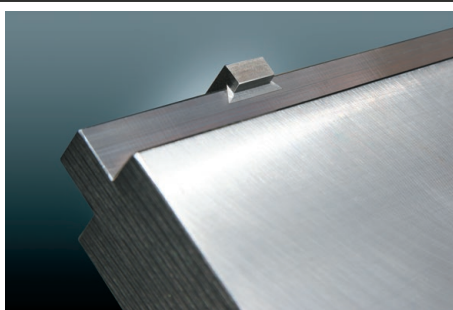
HM-3 Hemming Die



Rib Die

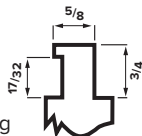


Easy Tabs

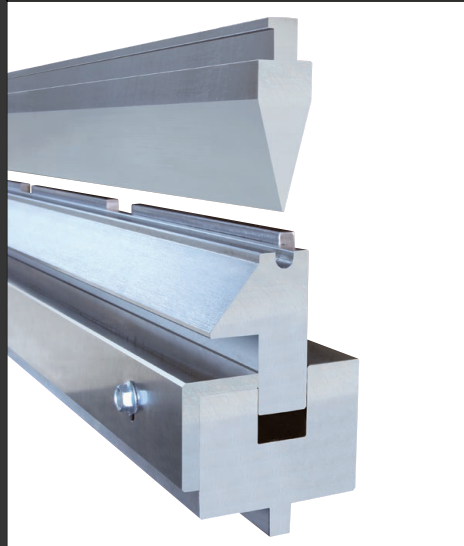


Easy Tabs are designed to be installed on existing tooling.

- Allows tools to be turned by rotating tab 180°
- Increases safety by preventing larger punches from dropping out when ram clamps are loosened



HM-3 Special

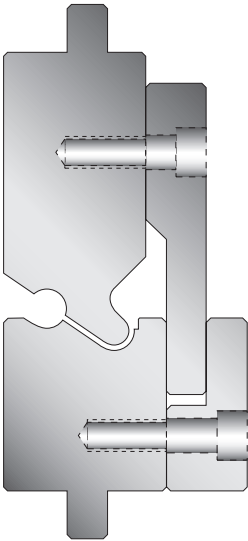


Roto Rib Die

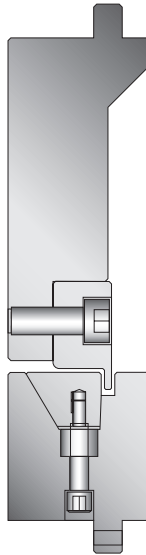


Call Us Toll Free at 877-633-8665 to Discuss Your Custom Tooling Applications.

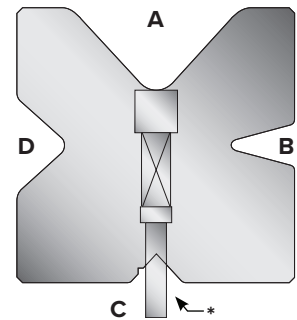
Special Curling Punch



Special Door Frame



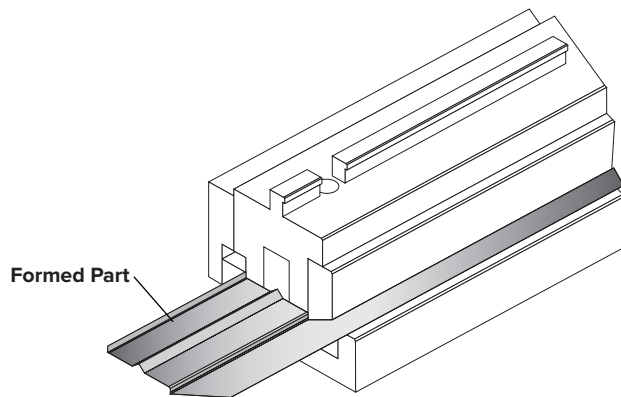
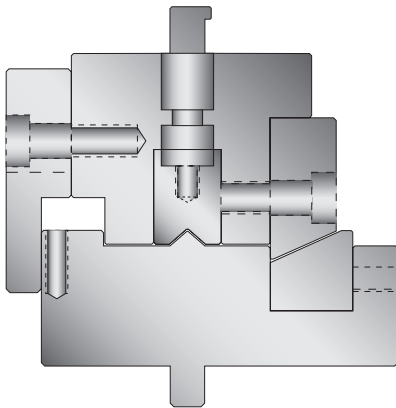
4-Way 3-Hvac



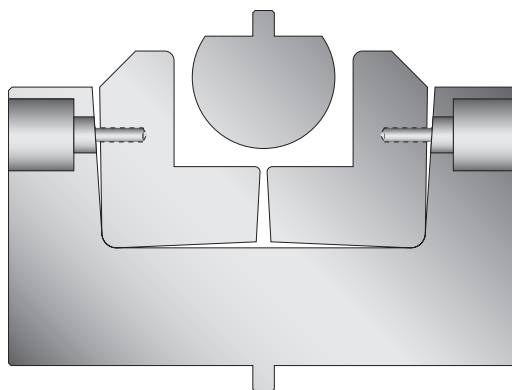
A = 2.000" @ 85°
 B = 0.500" @ 30°
 C = 0.625" @ 85° with notch for 1/4" flange
 D = 1.125" @ 85°

* Disappearing Spring Pins for locating sheetmetal – 3 total

Special Multiple Hit Forming



Special Radius Bending



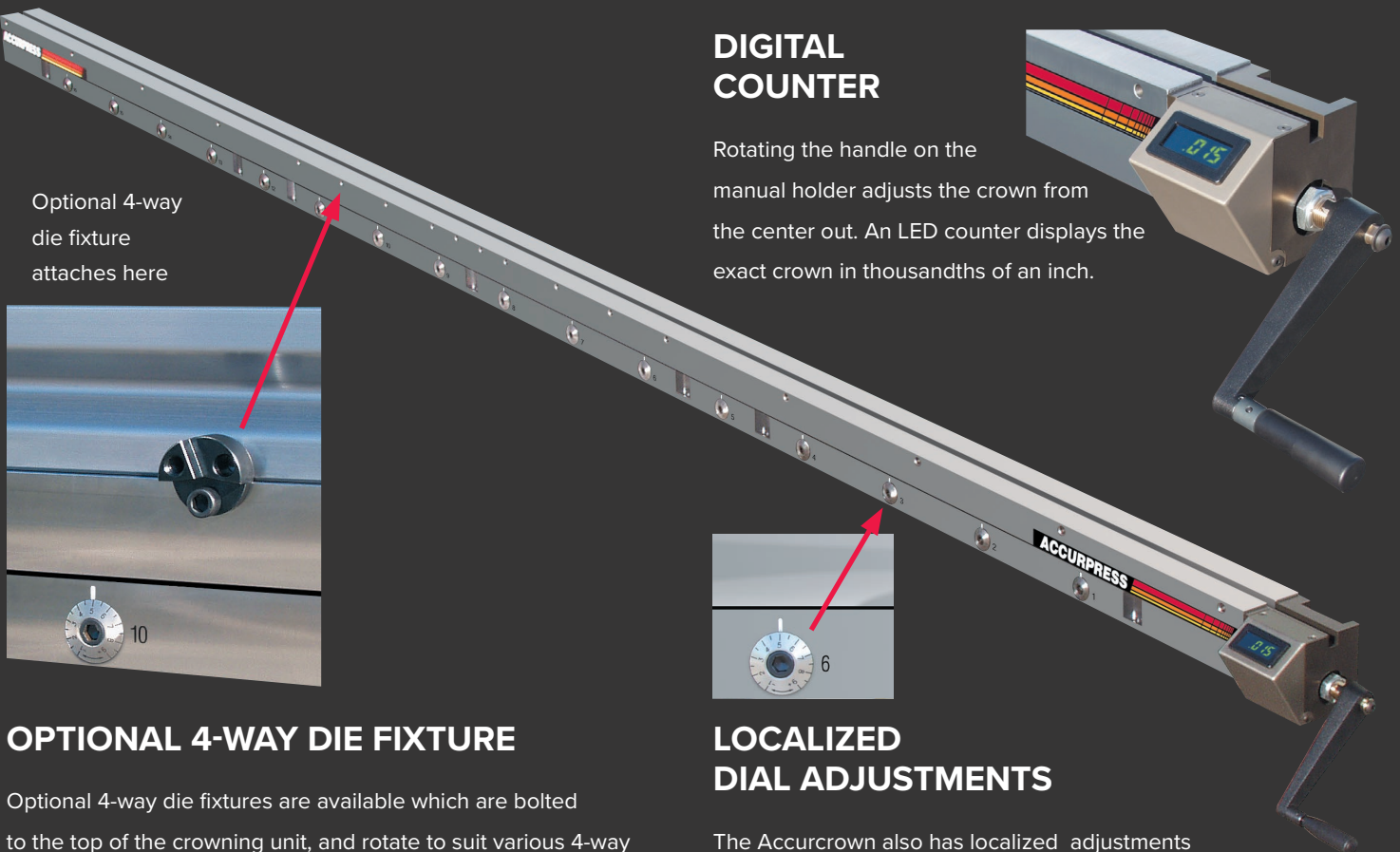
ACCURCROWN... ELIMINATE SHIMMING

REDUCE COSTLY SETUP TIME – INCREASE YOUR PROFITS

Shimming press brake tooling is eliminated when you use an Accurcrown die holder system. The Accurcrown system is manufactured with a series of precision wedges providing a uniform crown, which may be adjusted manually or power interfaced to the Accurpress ETS3000 CNC system.

CROWNING DIE HOLDER SYSTEMS ARE OFFERED IN TWO SIZES

- 3.5" wide x 3.75" high:
 - Suitable for small to mid-range tonnages
 - Suitable for 4-way block sizes up to 3.25"
- 6.0" wide x 3.75" high:
 - Suitable for large tonnages
 - Suitable for 4-way block sizes up to 5.75"



Optional 4-way die fixture attaches here

DIGITAL COUNTER

Rotating the handle on the manual holder adjusts the crown from the center out. An LED counter displays the exact crown in thousandths of an inch.

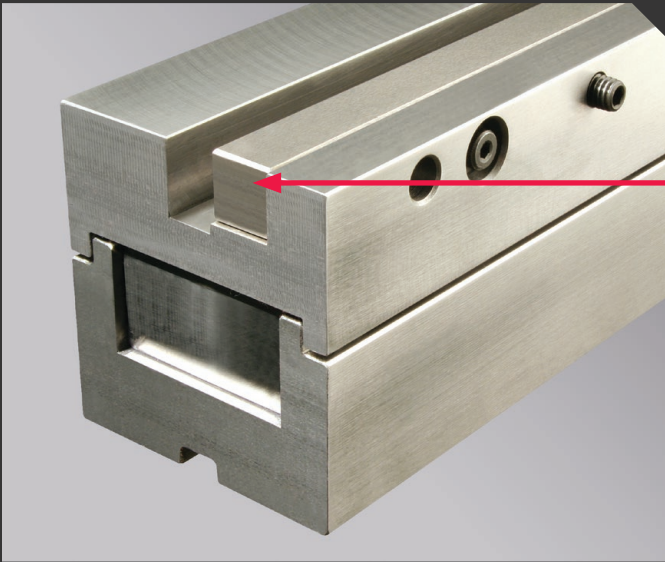
OPTIONAL 4-WAY DIE FIXTURE

Optional 4-way die fixtures are available which are bolted to the top of the crowning unit, and rotate to suit various 4-way tooling sizes.

LOCALIZED DIAL ADJUSTMENTS

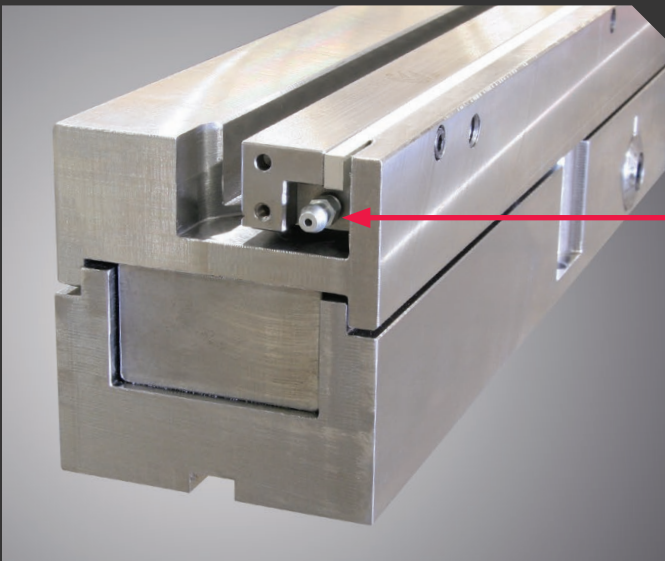
The Accurcrown also has localized adjustments every 8" – a great feature whereby an operator can adjust for worn tooling or compensate for any tolerances that exist in the press brake bed.

Adjustment is made by simply rotating each dial to raise or lower the crown height at any given point.



OPTIONAL CLAMPING BAR CONFIGURATION

The Manual Clamping Bar configuration is a cost effective solution for securing sectionalized lower tooling in the die holder. Clamping Bars are manufactured in 24" lengths.

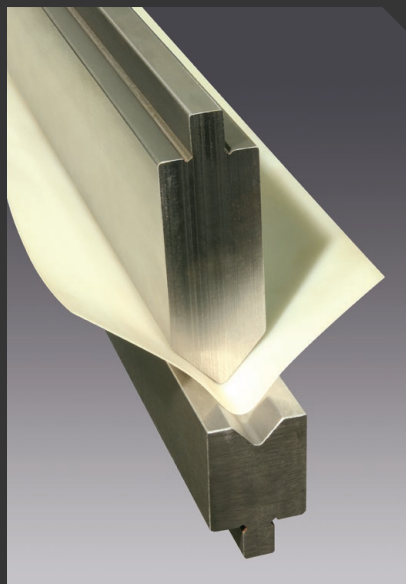
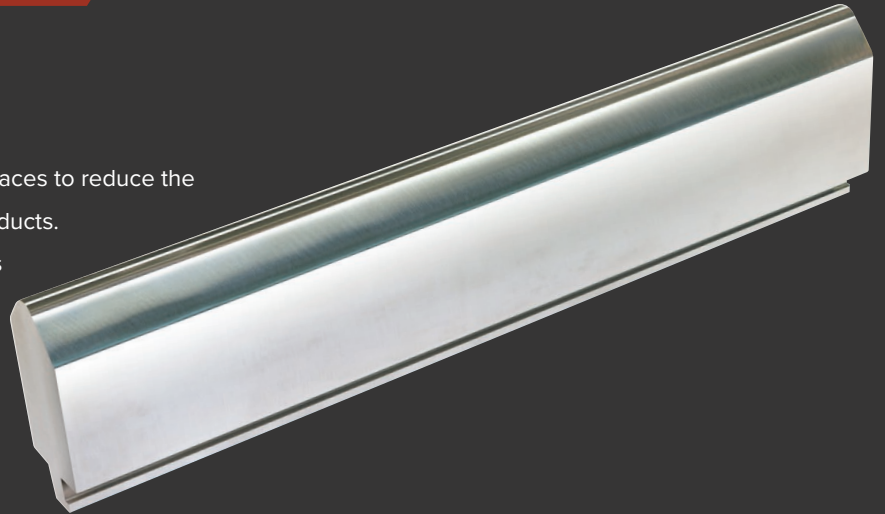


OPTIONAL A-3 HYDRAULIC CLAMPING BAR

The Wila A-3 Hydraulic Clamping Accurcrown features all the items as illustrated and described on page 12 plus... a Wila A-3 Hydraulic Clamping Pin System inserted into the top bar. This unit may be purchased as either manual or CNC crowning.

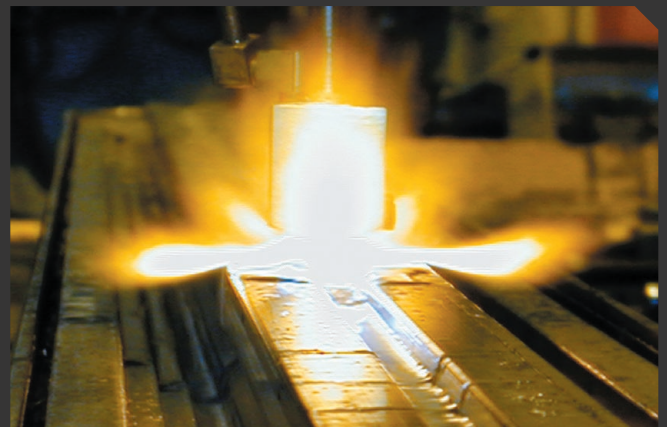
DIE POLISHING

As an additional service, we can polish the working surfaces to reduce the risk of galling, dimpling and other markings on your products. For further protection against marking finished products consider using Urethane Protective Die Film.



PROTECTIVE DIE FILM

Urethane Protective Die Film is a highly durable material used to act as a barrier against steel on steel rubbing. This protective film is available in 4" and 6" widths at either .015" or .030" thickness.



FLAME HARDENING

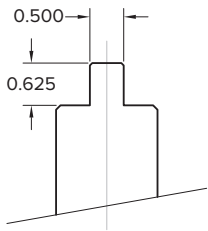
DOUBLE THE LIFE OF YOUR TOOLS

Get the most from your new tools with factory flame hardening. Flame hardening, a strongly recommended option which increases point of contact hardness to 45-50 HRC, ensures longer tool life – typically upwards of 100% – 300%.

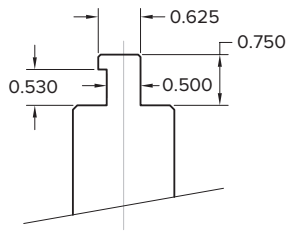
Hardened Zones



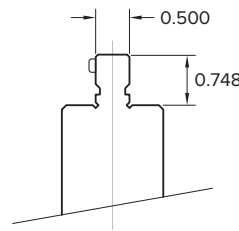
Tang Configurations



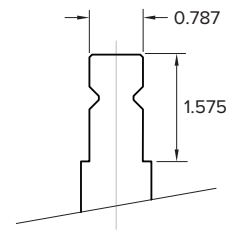
American Standard



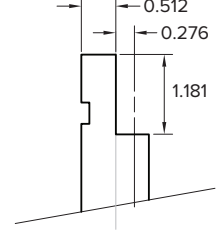
American Safety



WILA American



WILA New Standard



EUROPEAN

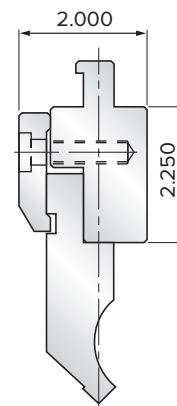
EUROPEAN RAM ADAPTOR

Accurpress offers the solution for those who wish to utilize their press brake with both American and European style tooling.



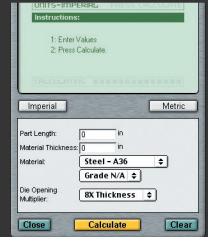
This Adaptor, as pictured and illustrated, has an American tang to mount into an American Style ram with the conversion for European style tooling. The advantage of this Adaptor is the short height in order to minimize the loss of ram open/closed height.

European Ram Adaptor



TONNAGE CHART

Accurate tonnage requirements and recommended model selections, based on a wide range of materials, can be determined by using the Accurpress Tonnage Calculator, which can be accessed online, at www.accurpress.com.



MILD STEEL BENDING TONNAGES

The chart below illustrates the appropriate tonnages to air bend mild steel with 60,000 p.s.i. tensile properties. It must be noted that most North American steel mills are producing harder metals with typical mechanical properties of 44,000 p.s.i. yield and up to 80,000 p.s.i. tensile strengths. The tonnages required to form these metals are substantially higher and must be taken into consideration in the selection of a press brake. With an eight-to-one die ratio, the inside radius of a right angle bend is approximately equal to the thickness of the metal. The bending forces for mild steel are shown on the chart below.

BENDING FORCES FOR OTHER METALS

Soft brass, soft aluminum: 50% of force shown
 Aluminum alloys, heat treated: same as mild steel
 Stainless: 50% more than steel

BENDING FORCES FOR OTHER METALS

Tonnage requirements are three to five times greater than for air bending. Coining is normally done in very high precision environments and on light gauge materials only.

Force to Air-Bend Mild Steel (80,000 PSI Tensile)

f = U.S. tons/lineal ft. of workpiece
All dimensions in inches

t	v	1/4	3/8	1/2	5/8	3/4	1	1 1/4	1 1/2	2	2 1/2	3	4	5	6	8	10	
	f	3/16	5/32	11/32	7/16	9/16	1 1/16	7/8	1 1/8	1 3/8	1 3/4	2 3/16	2 13/16	3 1/2	4 1/2	5 1/2	6 3/8	
r	1/32	1/16	5/64	7/64	9/64	5/32	13/64	1/4	5/16	13/32	33/64	5/8	3/4	1 1/32	1 5/16	1 5/8		
Thickness	Inches																Thickness	
20	0.036	4.0	2.7	2.0														20
18	0.048	7.1	4.7	3.5	2.8	2.4	F Values based on 80,000 PSI Tensile											18
16	0.060	11.1	7.4	5.5	4.4	3.7												2.8
14	0.075		11.5	8.6	6.9	5.8	4.3	3.5										14
12	0.105		22.6	16.9	13.6	11.3	8.5	6.8		5.6	4.2							12
11	0.120			22.1	17.7	14.8	11.1	8.9	7.4	5.5	4.4							11
10	0.135			28.0	22.4	18.7	14.0	11.2	9.3	7.0	5.6	4.7						10
3/16	0.188				43.4	36.2	27.1	21.7	18.1	13.6	10.9	9.0						3/16
1/4	0.250					64.0	48.0	38.4	32.0	24.0	19.2	16.0	12.0	9.6				1/4
5/16	0.313						75.2	60.2	50.2	37.6	30.1	25.1	18.8	15.1	12.5			5/16
3/8	0.375							86.4	72.0	54.0	43.2	36.0	27.0	21.6	18.0	13.5	10.8	3/8
7/16	0.438							117.9	98.2	73.7	58.9	49.1	36.8	29.5	24.6	18.4	14.7	7/16
1/2	0.500								96.0	76.8	64.0	48.0	38.4	32.0	24.0	19.2	15.0	1/2
5/8	0.625									100.0	75.0	60.0	50.0	37.5	30.0	24.0	19.2	5/8
3/4	0.750										108.0	86.4	72.0	54.0	43.2	34.5	27.6	3/4
7/8	0.875											147.0	117.6	98.0	73.5	58.8	47.1	7/8
1	1.000												153.6	128.0	96.0	76.8	61.5	1

t = Workpiece thickness
 r = Inside radius of formed part
 v = Vee-die opening
 f = Minimum flange

For steel of different yield strength, f value differs in proportion to strength ratio. Inside radius r, for mild steel is about 5/32 of female = die opening v for any t. Shaded f values are for v = 8t, common for average 90 bending. If t is 1/2 inch or more use v = 10t.

SAFETY WARNING

Press brake tooling is used in combination with sophisticated machinery and high hydraulic pressure, a situation in which misuse may lead to serious personal injury.

To prevent injury:

- Never use our dies in equipment which lacks the proper safeguards to prevent the user's hands or body parts from entering or remaining in the die space while the equipment is in motion.
- Fully familiarize the die setter with the press brake or machine manual.

- Ensure all points of operation guards are operational and in place, preventing users from exposing any part of their person to the closing on the machine or press brake.
- Supply hand tools for inserting, holding, or removing material, keeping hands at a safe distance.
- Provide users with training in safety practices and procedures. Insist these be followed. Monitor for compliance.

- Ensure dies are being installed and operated per the instruction manual for the brand and make of machine used.

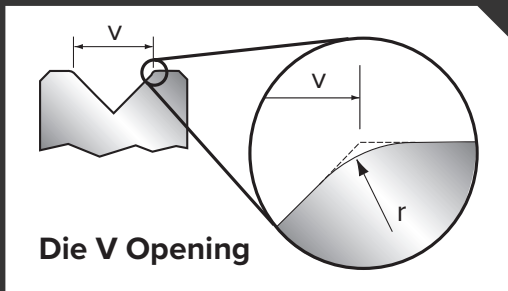
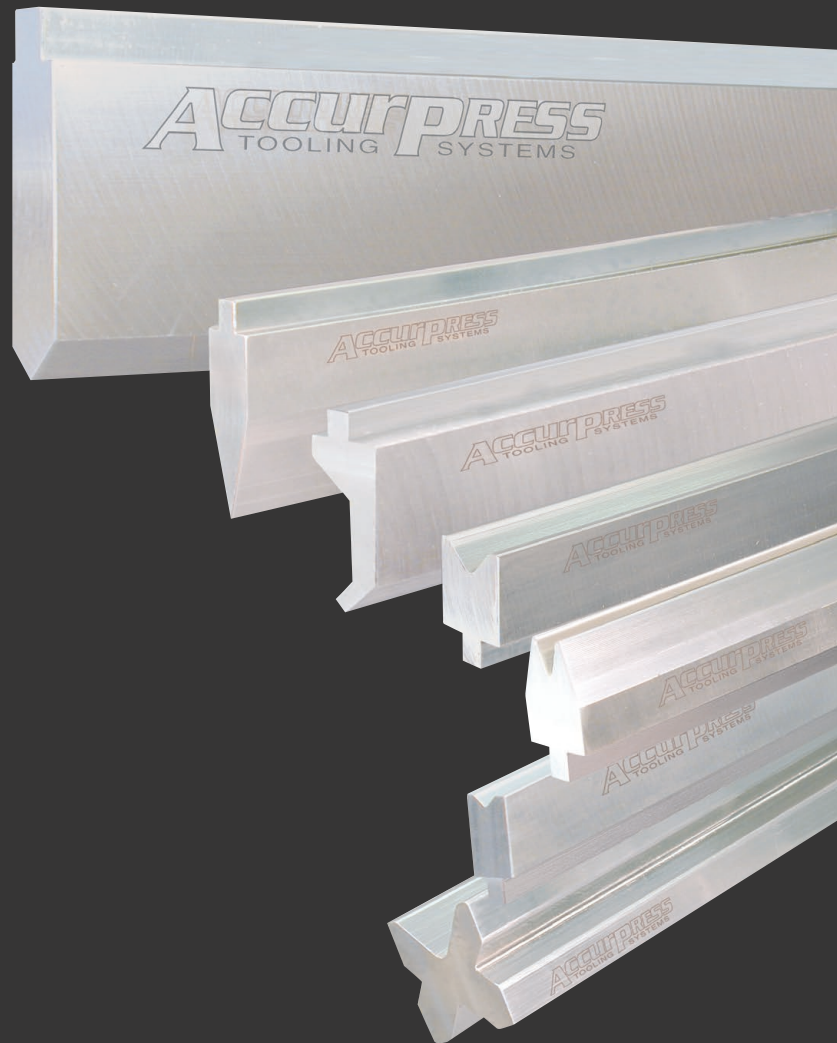
It is our responsibility to produce tooling and dies from quality materials to high standards of manufacturing performance.

It is the user's responsibility to employ them in proper application with due regard to safety.

PREMIUM TOOLING

GENERAL PURPOSE “PLANED” TOOLING

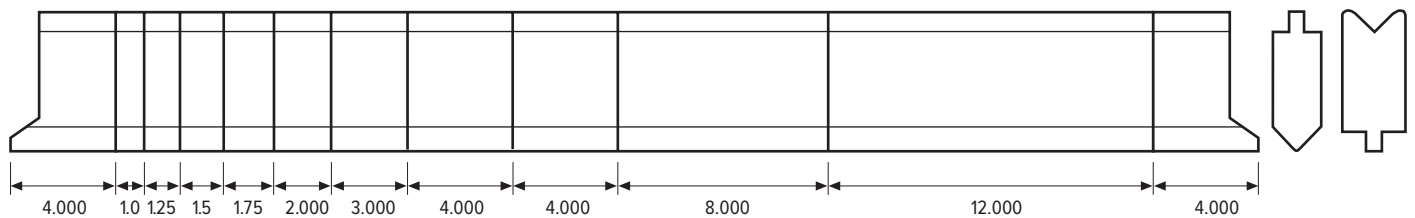
- Each tool is carefully measured and recorded to ensure our tolerances are the top in its class.
- Available in lengths up to 24’.
- Tooling may be ordered with optional polished radii on punches and dies.



Die V Opening

Illustration depicts V opening measurement.

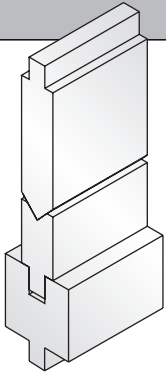
Segmented Punch and Die



- The tooling segments above will yield tool length combinations starting from 1.0”
- Segmented tooling can be cut and milled to your specifications
- Optional left and right horns available
- Optional ‘Easy Tabs’ can be added for safety

TOOL SET BUILD GUIDE

1 Tool Set Closed Height



Accurpress Tooling Systems offers special, fully customized tooling to fulfill your fabrication requirements. The following guidelines are designed to assist you in the determination of tooling dimensions.

Model Number	Stroke	Open Height	Closed Height (T)
725	6"	12"	6"
760-7175	8"	14"	6"
7250	8"	16"	8"
7320-7500	10"	18"	8"
7600-7750	12"	20"	8"
71000	14"	22"	8"

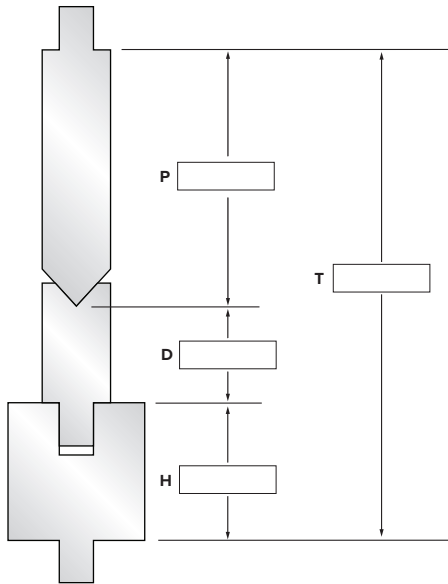
2 Closed Height Formulas

Use the tool set diagram below to determine suitable appropriate tooling sizes. The "T" value in the table above is the closed height of your press brake.

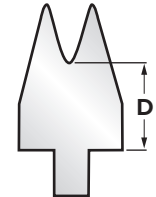
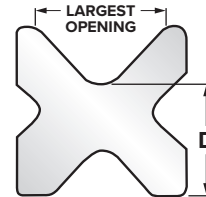
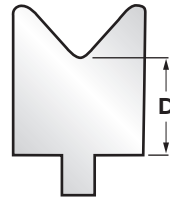
- (H) Die Holder Height $H = T - (P + D)$
- (P) Punch Height $P = T - (D + H)$
- (D) Die Height* $D = T - (P + H)$

*Note: D value on 4-way dies refers to the largest V-opening.

3 Closed Height Diagram



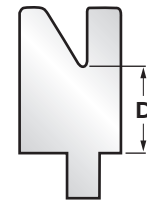
Die Height (D) for Tool Build-up Calculations



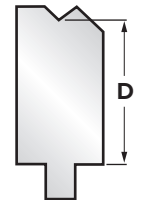
Order #	(D)
L1	1.60"
L2	1.50"
L3	1.45"
L4	1.40"
L5	1.35"
L6	1.30"
L7	1.25"
L8	1.15"
L9	1.60"
L10	1.50"
L11	1.25"
L12	1.00"
L13	1.25"
L14	2.25"
L15	2.80"

Order #	(D)
4W1	1.50"
4W2	1.75"
4W3	2.00"
4W4	2.25"
4W5	2.50"
4W6	2.75"
4W7	3.25"
4W8	3.25"
4W9	4.25"
4W10	4.75"
4W11	6.00"
4W12	7.00"

Order #	(D)
L30-1	1.45"
L30-2	1.25"
L30-3	1.05"
L30-4	1.35"
L30-5	1.15"
L30-6	1.50"
L30-7	1.45"
L30-8	1.50"
L30-9	1.35"



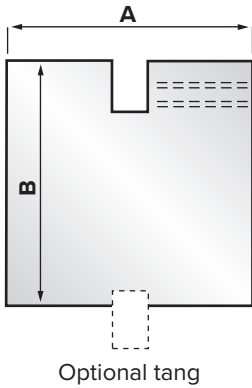
Order #	(D)
HM1	1.30"



Order #	(D)
OS1	2.65"
OS2	2.60"
OS3	2.55"
OS4	2.50"
OS5	2.40"
OS6	2.30"
OS7	2.20"
OS8	2.10"
OS9	2.00"

DIE HOLDERS & 4-WAY DIES

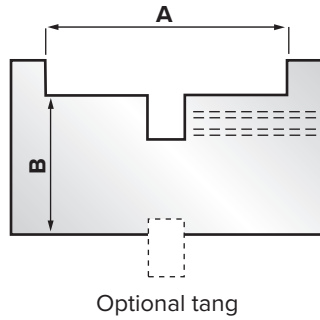
Conventional Die Holders



Order #	A	B
DH2 - 1-1/2	2"	1-1/2"
DH2 - 2	2"	2"
DH2 - 3	2"	3"
DH2 - 4	2"	4"
DH2 - 5	2"	5"
DH3 - 1-1/2	3"	1-1/2"
DH3 - 2	3"	2"
DH3 - 3	3"	3"
DH3 - 4	3"	4"
DH3 - 5	3"	5"
DH4 - 2	4"	2"
DH4 - 3	4"	3"
DH4 - 4	4"	4"
DH4 - 5	4"	5"
DH5 - 2	5"	2"
DH5 - 3	5"	3"
DH5 - 4	5"	4"
DH5 - 5	5"	5"
DH6 - 6	6"	6"

Other sizes on request

4-Way Holders



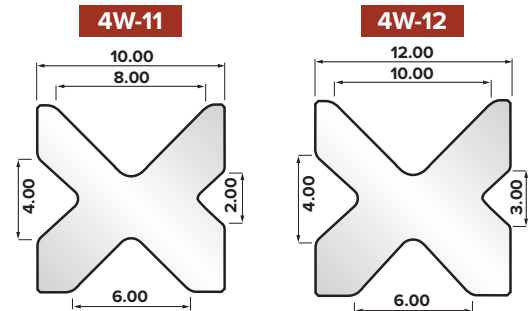
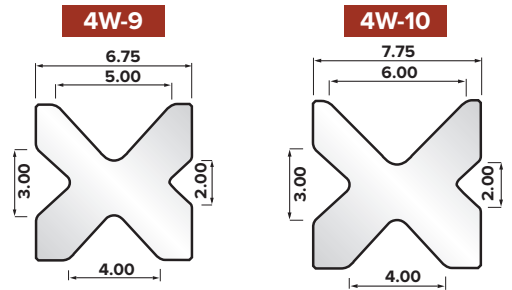
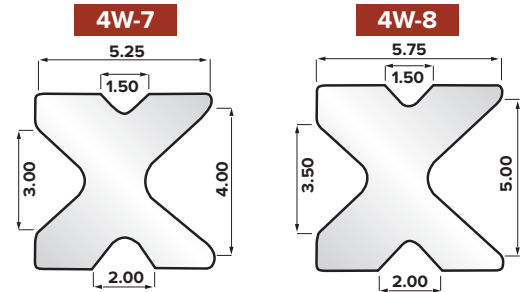
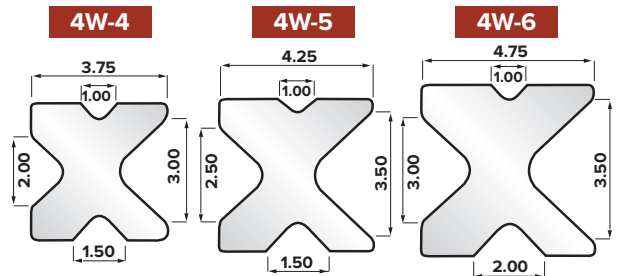
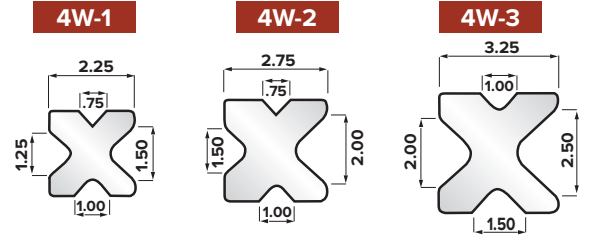
These holders fit pictured 4-way dies, plus special sizes listed below right.

Order #	A	B
4WH1 - 2	2-1/4"	2"
4WH1 - 3	2-1/4"	3"
4WH2 - 2	2-3/4"	2"
4WH2 - 3	2-3/4"	3"
4WH3 - 2	3-1/4"	2"
4WH3 - 3	3-1/4"	3"
4WH4 - 2	3-3/4"	2"
4WH4 - 3	3-3/4"	3"
4WH5 - 2	4-1/4"	2"
4WH5 - 3	4-1/4"	3"
4WH5 - 4	4-1/4"	4"
4WH6 - 2	4-3/4"	2"
4WH6 - 3	4-3/4"	3"
4WH6 - 4	4-3/4"	4"
4WH7 - 2	5-1/4"	2"
4WH7 - 3	5-1/4"	3"
4WH7 - 4	5-1/4"	4"
4WH8 - 2	5-3/4"	2"
4WH8 - 3	5-3/4"	3"
4WH8 - 4	5-3/4"	4"
4WH9 - 2	6-3/4"	2"
4WH9 - 3	6-3/4"	3"
4WH10 - 3	7-3/4"	3"
4WH11 - 3	10"	3"
4WH12 - 3	12"	3"

Other sizes on request

4-Way Dies

Block sizes and openings on 4-way dies can be made to customer specifications, including more than four openings. All openings are 85° unless otherwise specified.

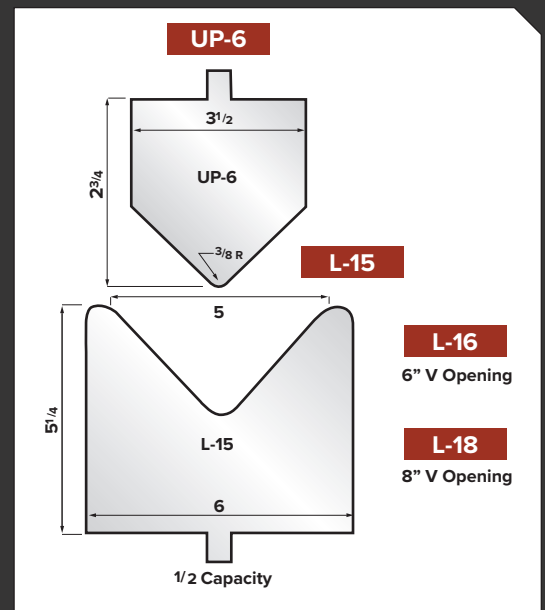
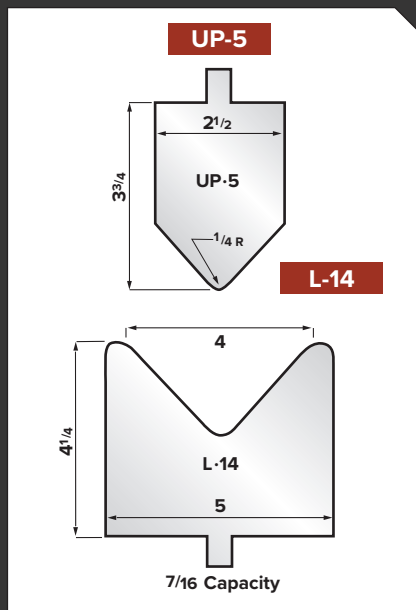
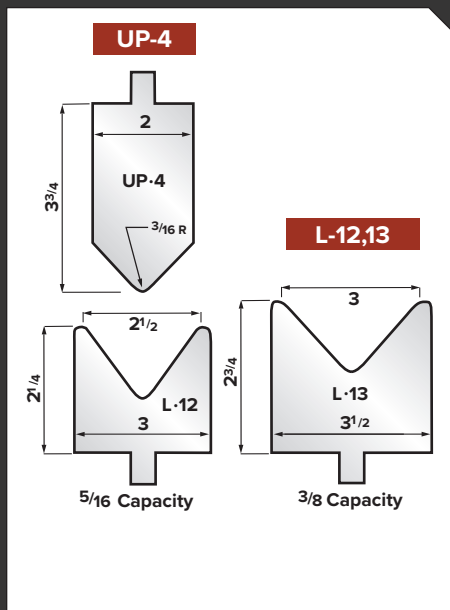
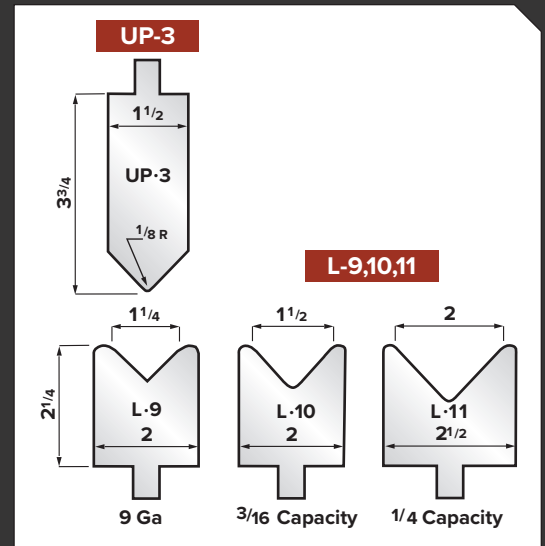
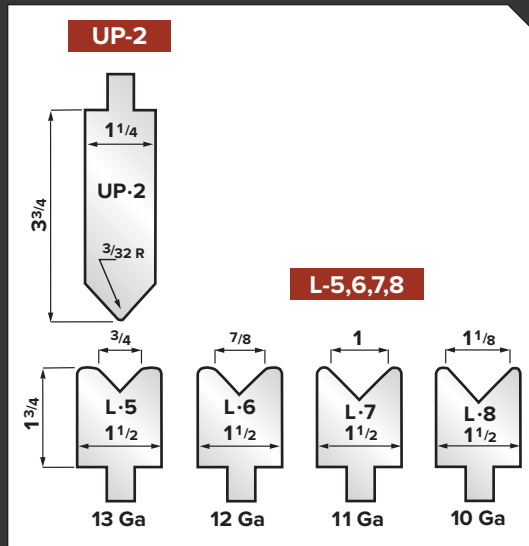
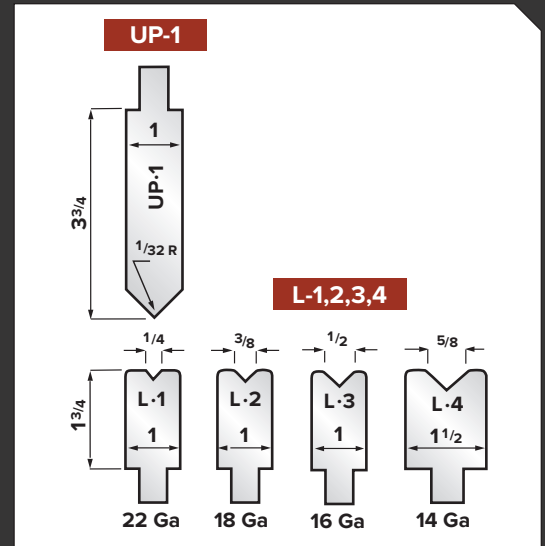
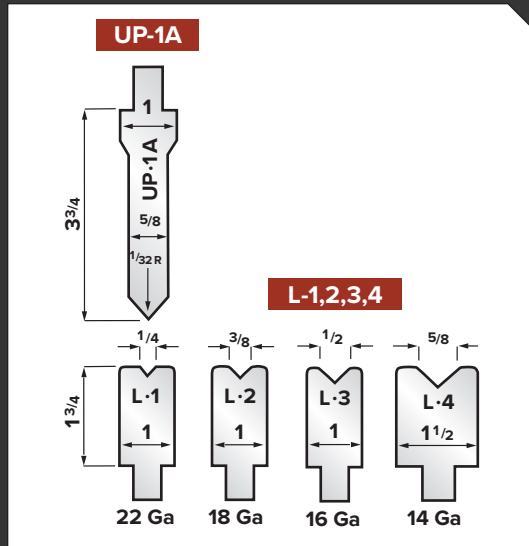


4W-9/10/11/12 not shown to scale

85° TO 90° FORMING PUNCHES & DIES

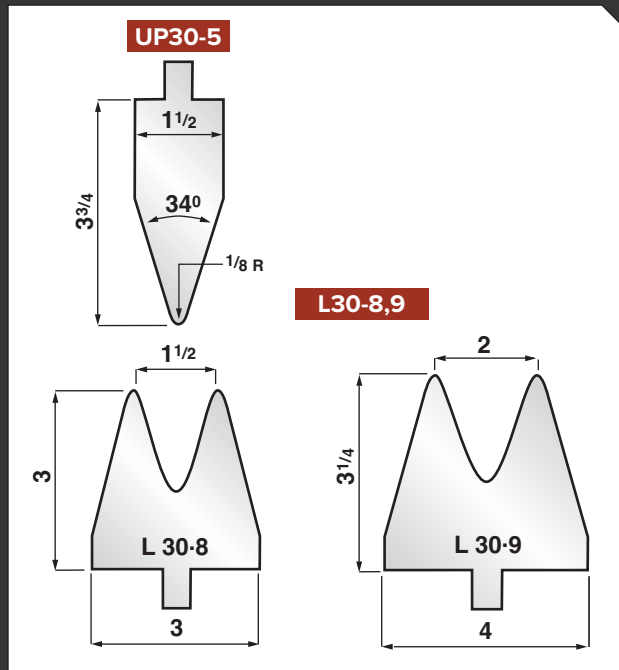
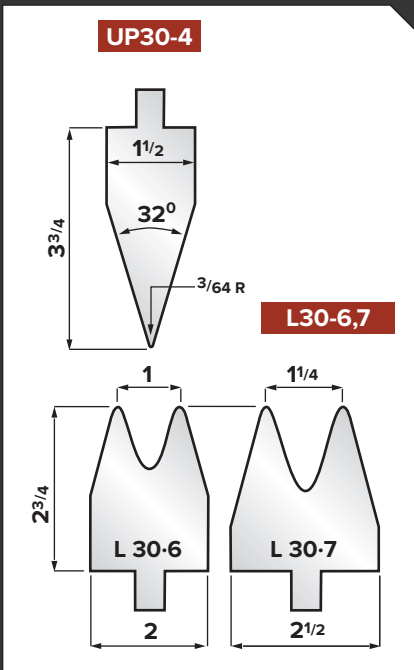
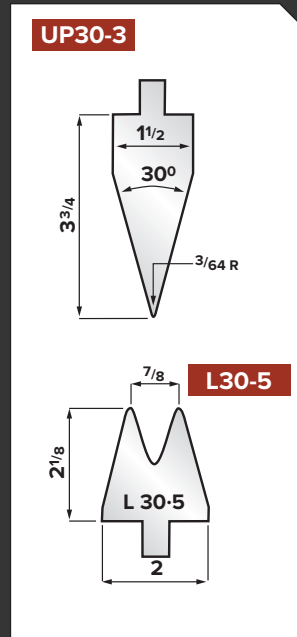
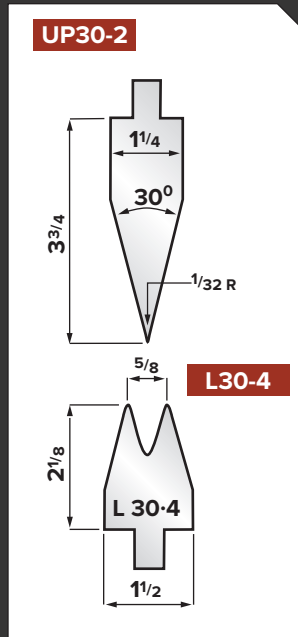
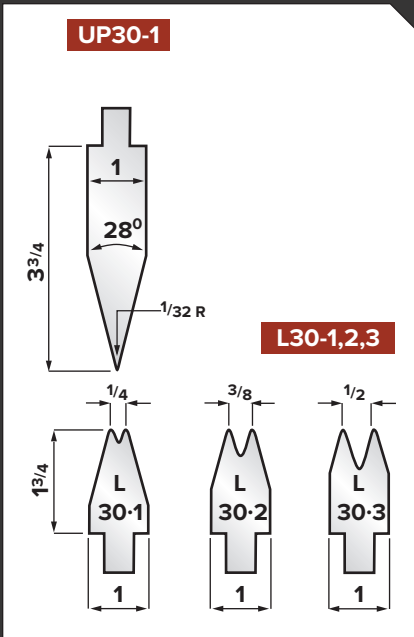
These 85° punch and die combinations are used for air bending techniques.

To produce sharp, close-tolerance bends in light gauges, 90° punch and die combinations must be specified.



30° FORMING PUNCHES & DIES

These dies are used for forming acute angle bends in 22 gauge through to 3/16".

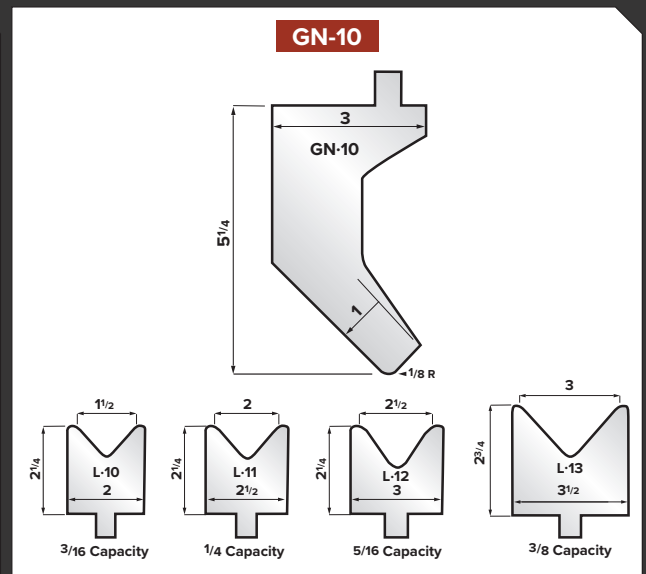
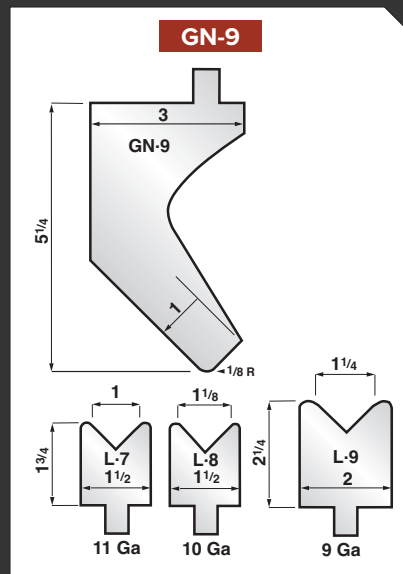
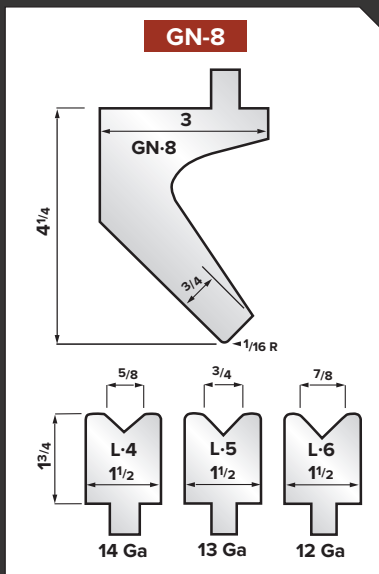
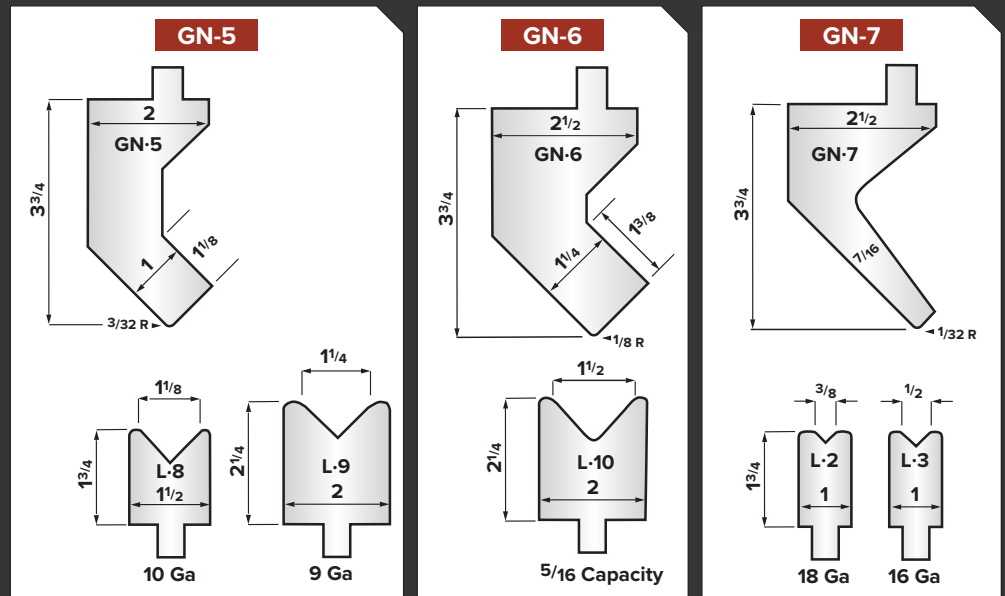
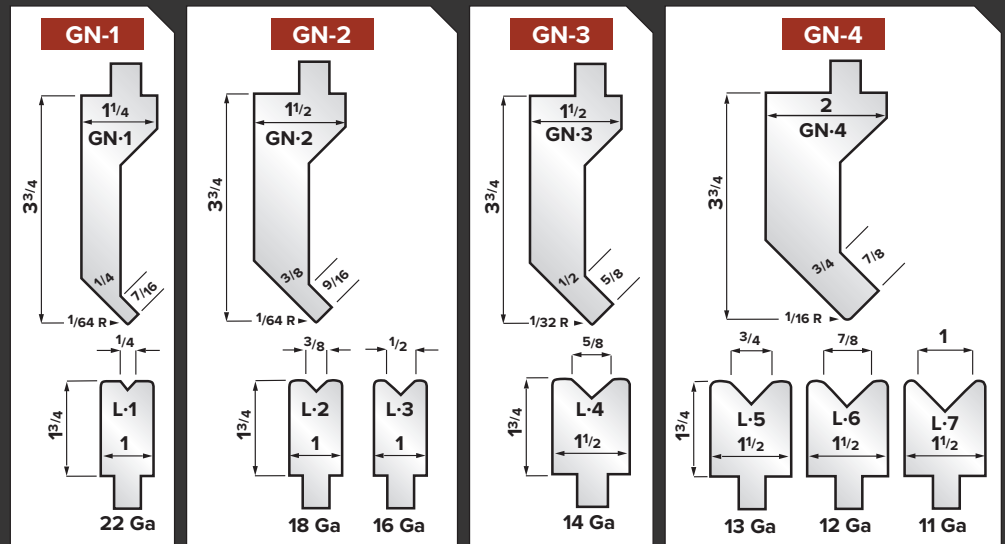


GOOSENECK PUNCHES & DIES

All gooseneck punches and die combinations are machined at 85° for air bend techniques unless otherwise specified.

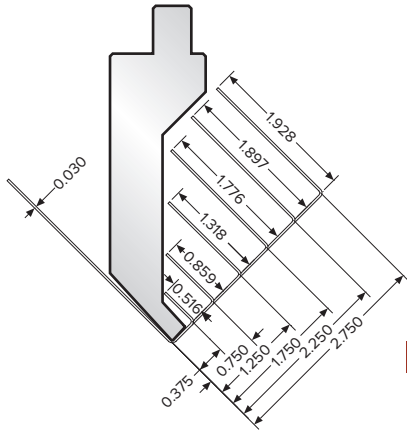
These punches are used for forming right angle bends, channels, or other special bends where a straight 90° punch would interfere.

GN #7, 8 and 9 punches are cut back further beyond the centerline for a greater flange.

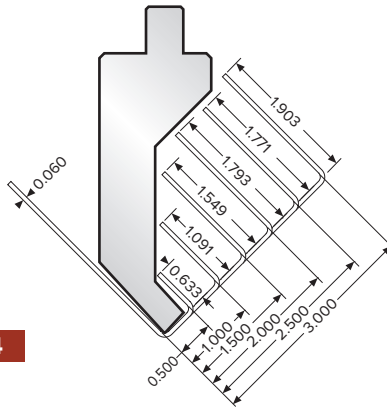


ALLOWABLE RETURN FLANGES

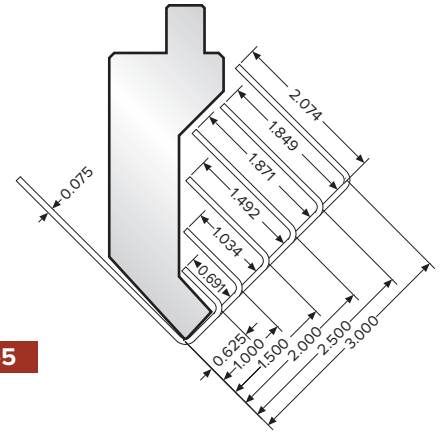
GN-1



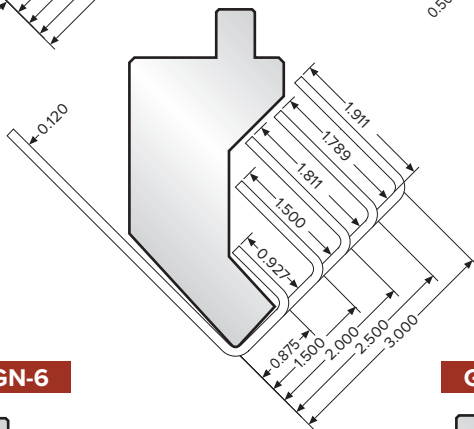
GN-2



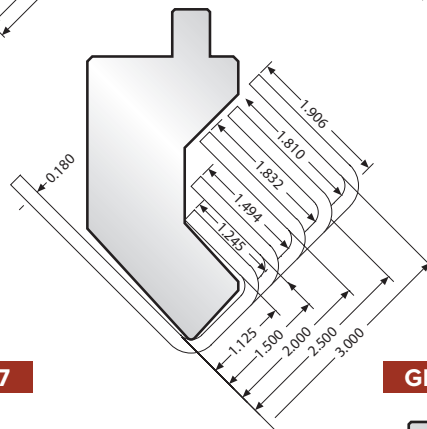
GN-3



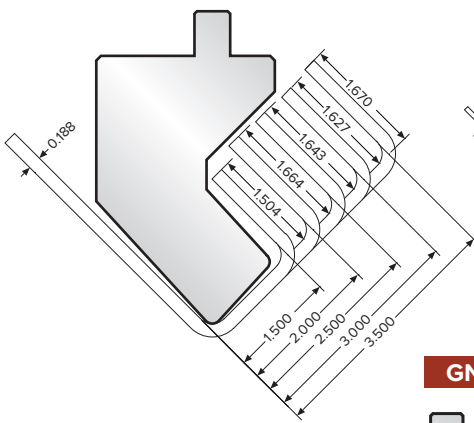
GN-4



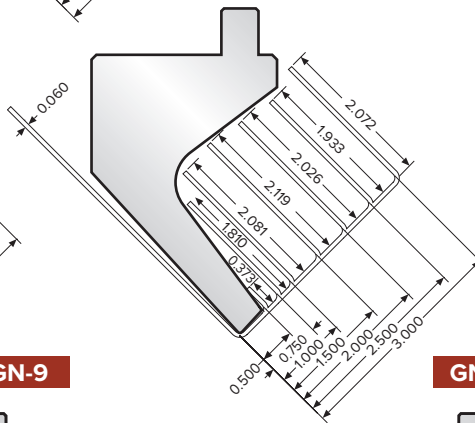
GN-5



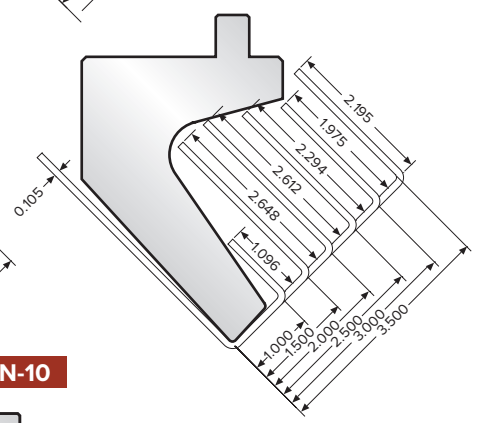
GN-6



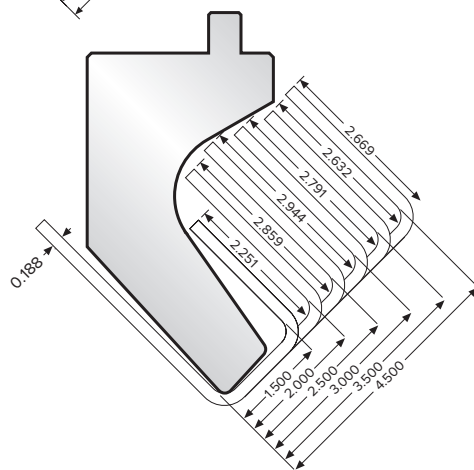
GN-7



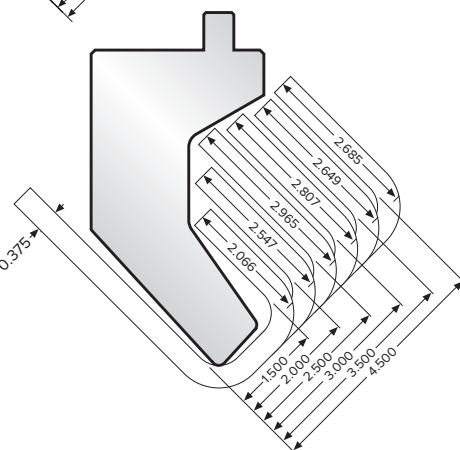
GN-8



GN-9



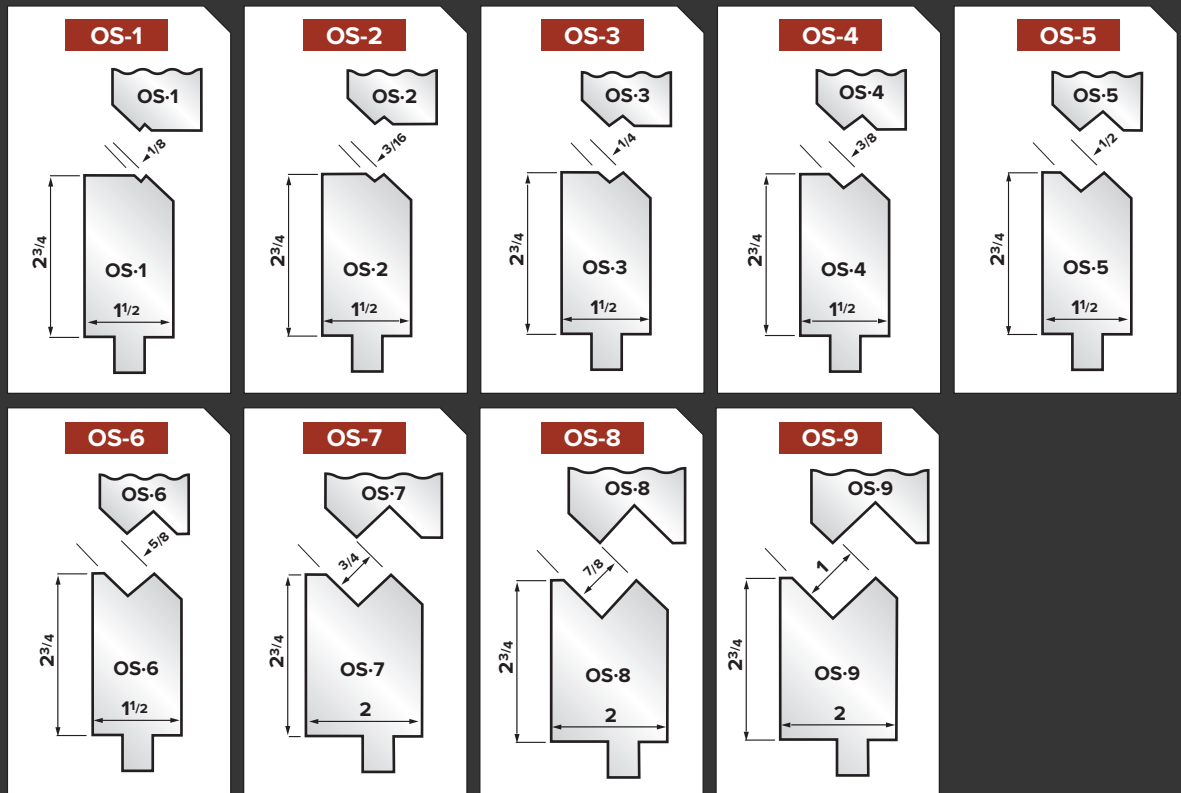
GN-10



OFFSET DIES

Offset dies are sold in sets.

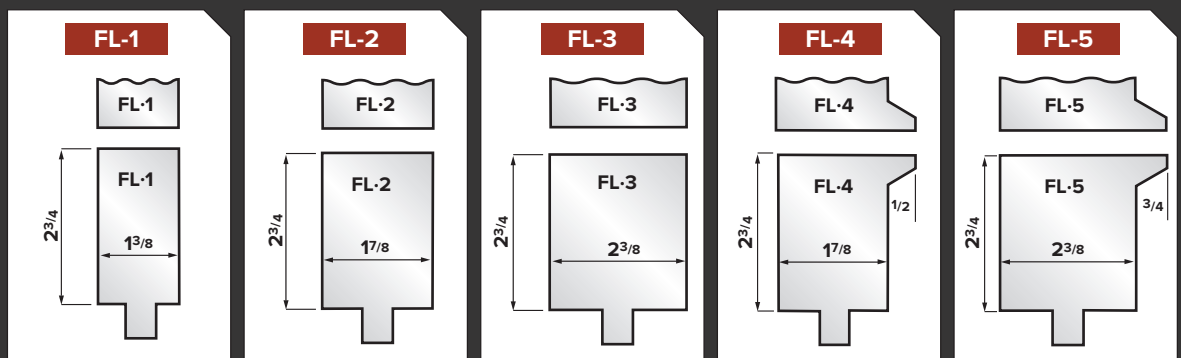
General purpose offset dies form two 90° bends in one stroke.



FLATTENING DIES

Flattening dies are sold in sets.

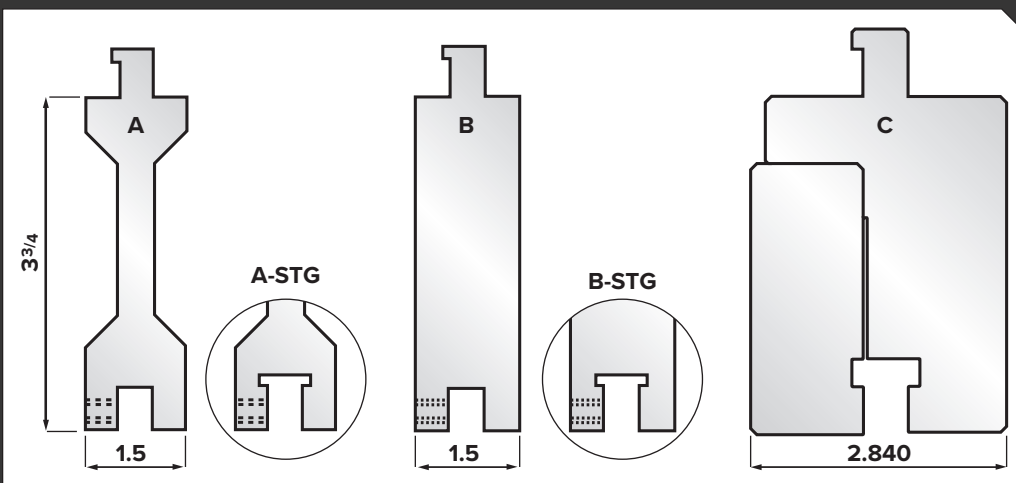
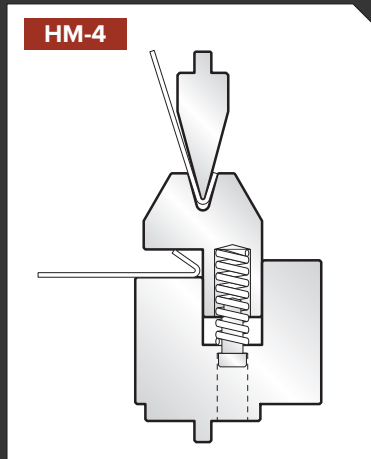
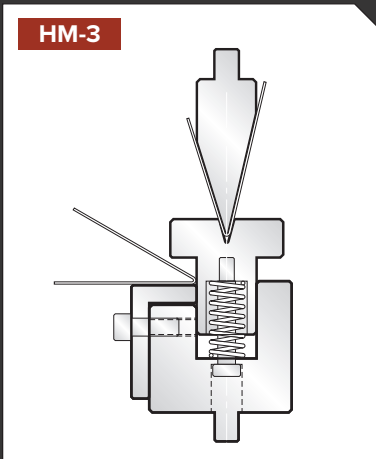
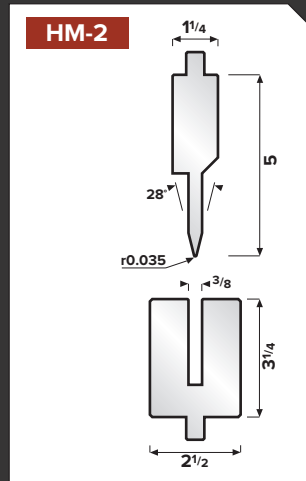
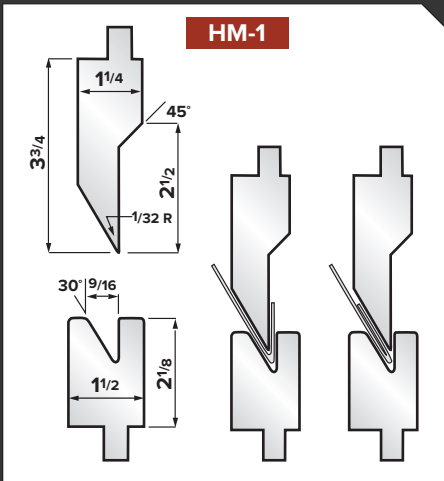
They are used to complete hems, or to close a previously formed angle to a given degree.



HEMMING DIES

These combinations are used for hemming on a two-stroke operation.

- HM-1 is used to hem 18 gauge or lighter.
- HM-2 is capable of both air-bending and hemming light gauge material.
- HM-3 is for hemming material heavier than 18 gauge.
- HM-4 can be customized to suit individual applications.



RAM ADAPTORS

Ram adaptors may be necessary to fill up die space if ram adjustment is insufficient, or to suit conditions for box forming.

The three styles shown are in 3 3/4" but are available in all heights.

They have safety tangs, and are manufactured from 4150 material.

The Accurpress Precision Tooling line has been designed and manufactured to fill a void in the current North American tooling market between “general purpose +/- 0.003 ” and “high-end precision +/- 0.0004” tooling.

Accurpress Precision Tooling is precision grade, holding tolerances at +/- .0008”, and sold at very cost effective pricing. These tools come in a maximum length of 515mm (20.28”) and are produced on top-of-the-line creep feed grinding machines. Each section is laser etched with a full description of the tool as well as its maximum tonnage/ft rating.

In addition, each section of Precision Tooling comes standard with the working radii induction hardened to a minimum of 50 HRC to ensure long-term performance.

Quality Control

Each section is measured against a master before it is shipped to ensure tolerances are maintained.

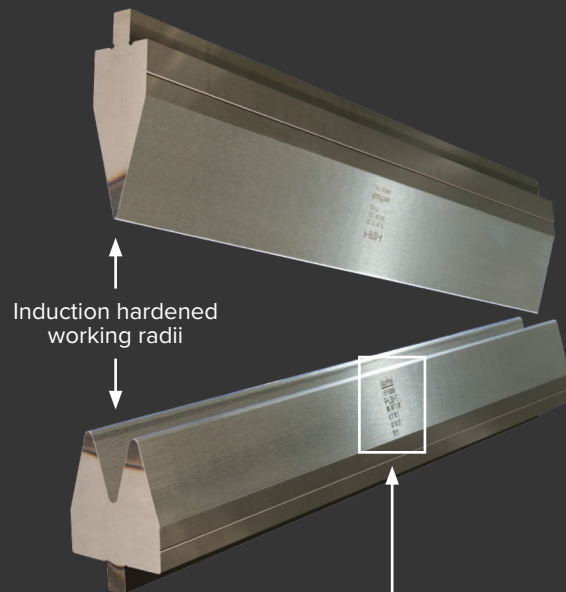
Certified Materials

We use only the finest pre-hardened brake die material available to manufacture the Precision line. Base hardness 270 – 300 Brinell, 28 – 32 HRC.

Warranty

One year on material defect.

NOTE: The warranty does not cover operator error/misuse (ie.; Over tonnage situations).



AccurPress
1-877-6338665
P-L12
MOV2.5" D1.351"
H2.25" W3"
A80° R0.25"
30t/ft

Laser etched tooling description

PRECISION 80° FORMING PUNCHES

These 80° punch and die combinations are used for air bending techniques.

P-UP1A

Max Tons:
60/m.
18/ft.

Model#	Angle (μ°)	Radius (r) mm(in)
P-UP1A	80	0.9(0.035)

P-UP1

Max Tons:
65/m.
20/ft.

Model#	Angle (μ°)	Radius (r) mm(in)
P-UP1	80	0.9(0.035)

P-UP2

Max Tons:
115/m.
35/ft.

Model#	Angle (μ°)	Radius (r) mm(in)
P-UP2	80	2.4(0.093)

P-UP3

Max Tons:
150/m.
45/ft.

Model#	Angle (μ°)	Radius (r) mm(in)
P-UP3	80	3.2(0.125)

P-UP4

Max Tons:
230/m.
70/ft.

Model#	Angle (μ°)	Radius (r) mm(in)
P-UP4	80	4.7(0.187)

P-UP5-2.75

Max Tons:
250/m.
75/ft.

Model#	Angle (μ°)	Radius (r) mm(in)
P-UP5-2.75	80	6.3(0.25)

P-UP5-3.75

Max Tons:
280/m.
85/ft.

Model#	Angle (μ°)	Radius (r) mm(in)
P-UP5-3.75	80	6.3(0.25)



P-UP6-2.75

Max Tons:
328/m.
100/ft.

Model#	Angle (cc°)	Radius (r) mm(in)
P-UP6-2.75	80	9.4(0.375)

P-UP6-3.75

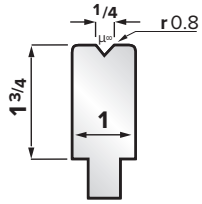
Max Tons:
395/m.
120/ft.

Model#	Angle (cc°)	Radius (r) mm(in)
P-UP6-3.75	80	9.4(0.375)

PRECISION 80° DIES

P-L1

Max Tons:
40/m.
12/ft.

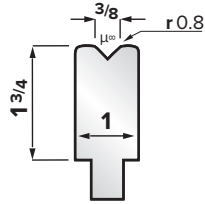


22 Ga

Model#	Angle (μ°)	Radius (r) mm(in)
P-L1	80	0.8(0.035)

P-L2

Max Tons:
40/m.
12/ft.

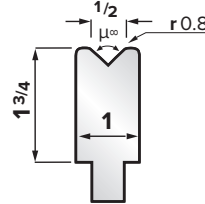


18 Ga

Model#	Angle (μ°)	Radius (r) mm(in)
P-L2	80	0.8(0.035)

P-L3

Max Tons:
50/m.
15/ft.

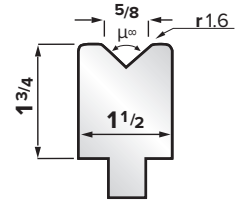


16 Ga

Model#	Angle (μ°)	Radius (r) mm(in)
P-L3	80	0.8(0.035)

P-L4

Max Tons:
65/m.
20/ft.

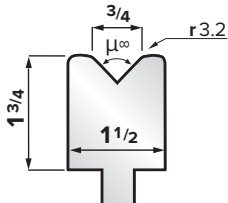


14 Ga

Model#	Angle (μ°)	Radius (r) mm(in)
P-L4	80	1.6(0.065)

P-L5

Max Tons:
65/m.
20/ft.

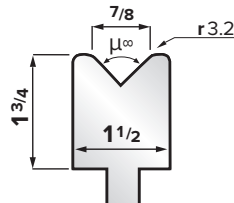


13 Ga

Model#	Angle (μ°)	Radius (r) mm(in)
P-L5	80	3.2(0.125)

P-L6

Max Tons:
82/m.
25/ft.

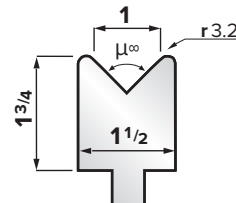


12 Ga

Model#	Angle (μ°)	Radius (r) mm(in)
P-L6	80	3.2(0.125)

P-L7

Max Tons:
82/m.
25/ft.

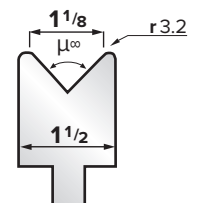


11 Ga

Model#	Angle (μ°)	Radius (r) mm(in)
P-L7	80	3.2(0.125)

P-L8

Max Tons:
88/m.
27/ft.



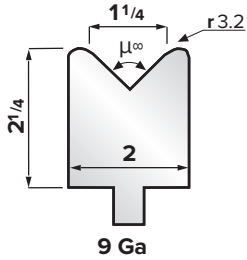
10 Ga

Model#	Angle (μ°)	Radius (r) mm(in)
P-L8	80	3.2(0.125)

PRECISION 80° DIES

P-L9

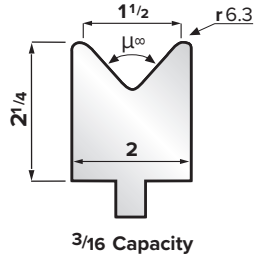
Max Tons:
100/m.
30/ft.



Model#	Angle (μ°)	Radius (r) mm(in)
P-L9	80	3.2(0.125)

P-L10

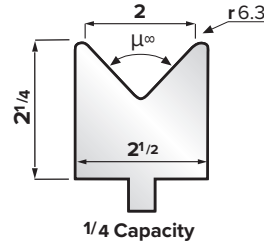
Max Tons:
100/m.
30/ft.



Model#	Angle (μ°)	Radius (r) mm(in)
P-L10	80	6.3(0.25)

P-L11

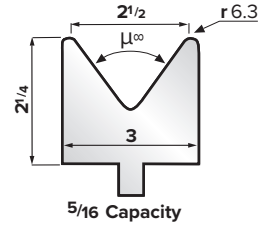
Max Tons:
100/m.
30/ft.



Model#	Angle (μ°)	Radius (r) mm(in)
P-L11	80	6.3(0.25)

P-L12

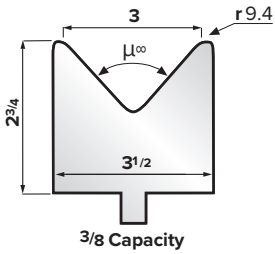
Max Tons:
100/m.
30/ft.



Model#	Angle (μ°)	Radius (r) mm(in)
P-L12	80	6.3(0.25)

P-L13

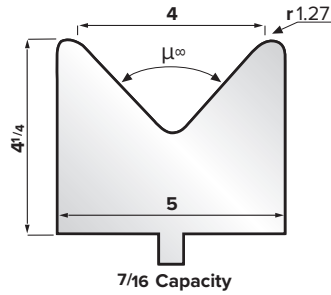
Max Tons:
115/m.
35/ft.



Model#	Angle (μ°)	Radius (r) mm(in)
P-L13	80	9.4(0.375)

P-L14

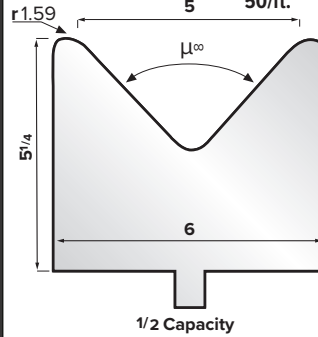
Max Tons:
150/m.
45/ft.



Model#	Angle (μ°)	Radius (r) mm(in)
P-L14	80	1.27(0.50)

P-L15

Max Tons:
165/m.
50/ft.



Model#	Angle (μ°)	Radius (r) mm(in)
P-L15	80	1.59(0.625)

PRECISION 30° FORMING PUNCHES

These dies are used for forming acute angle bends in 22 gauge through to 3/16".



P-UP30-1

Max Tons:
60/m.
18/ft.

Model#	Angle (μ°)	Radius (r) mm(in)
P-UP30-1	28	0.8(0.035)

P-UP30-2

Max Tons:
82/m.
25/ft.

Model#	Angle (μ°)	Radius (r) mm(in)
P-UP30-2	30	0.8(0.035)

P-UP30-3

Max Tons:
100/m.
30/ft.

Model#	Angle (μ°)	Radius (r) mm(in)
P-UP30-3	30	1.2(0.047)

P-UP30-4

Max Tons:
100/m.
30/ft.

Model#	Angle (μ°)	Radius (r) mm(in)
P-UP30-4	32	1.2(0.047)

P-UP30-5

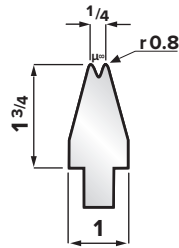
Max Tons:
150/m.
45/ft.

Model#	Angle (μ°)	Radius (r) mm(in)
P-UP30-5	34	3.2(0.125)

PRECISION 30° DIES

P-L30-1

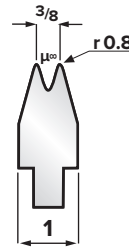
Max Tons:
26/m.
8/ft.



Model#	Angle (μ°)	Radius (r) mm(in)
P-L30-1	28	8.0(0.035)

P-L30-2

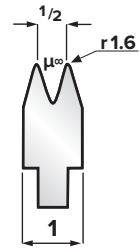
Max Tons:
33/m.
10/ft.



Model#	Angle (μ°)	Radius (r) mm(in)
P-L30-2	28	0.8(0.035)

P-L30-3

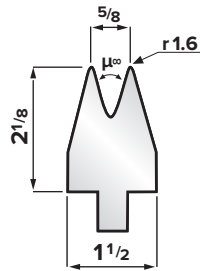
Max Tons:
40/m.
12/ft.



Model#	Angle (μ°)	Radius (r) mm(in)
P-L30-3	30	1.6(0.065)

P-L30-4

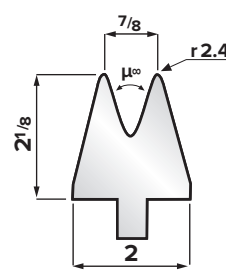
Max Tons:
50/m.
15/ft.



Model#	Angle (μ°)	Radius (r) mm(in)
P-L30-4	30	1.6(0.065)

P-L30-5

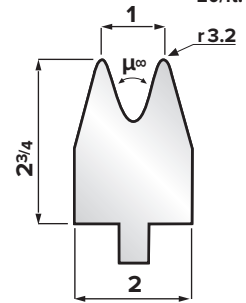
Max Tons:
50/m.
15/ft.



Model#	Angle (μ°)	Radius (r) mm(in)
P-L30-5	32	2.4(0.093)

P-L30-6

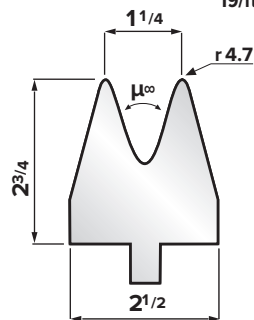
Max Tons:
65/m.
20/ft.



Model#	Angle (μ°)	Radius (r) mm(in)
P-L30-6	32	3.2(0.125)

P-L30-7

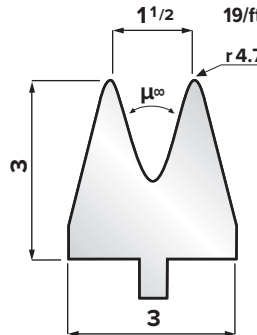
Max Tons:
65/m.
19/ft.



Model#	Angle (μ°)	Radius (r) mm(in)
P-L30-7	34	4.7(0.187)

P-L30-8

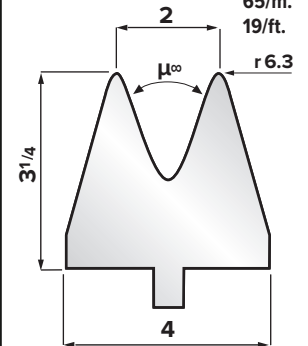
Max Tons:
65/m.
19/ft.



Model#	Angle (μ°)	Radius (r) mm(in)
P-L30-8	36	4.7(0.187)

P-L30-9

Max Tons:
65/m.
19/ft.

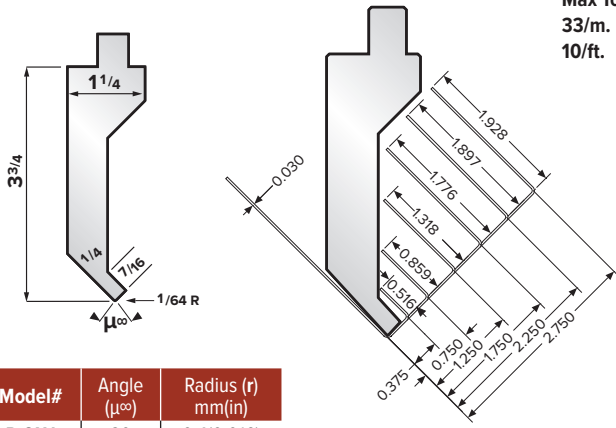


Model#	Angle (μ°)	Radius (r) mm(in)
P-L30-9	38	6.3(0.250)

PRECISION GOOSENECK PUNCHES

All gooseneck punches and die combinations are machined at 80° for air bend techniques unless otherwise specified. These punches are used for forming right angle bends, channels, or other special bends where a straight 90° punch would interfere.

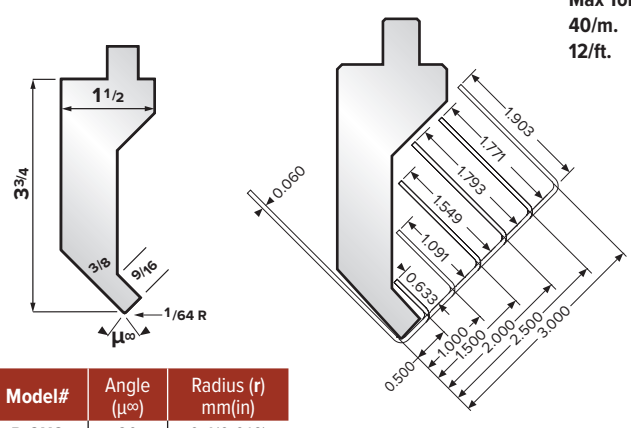
P-GN1



Max Tons:
33/m.
10/ft.

Model#	Angle (μ°)	Radius (r) mm(in)
P-GN1	80	0.4(0.016)

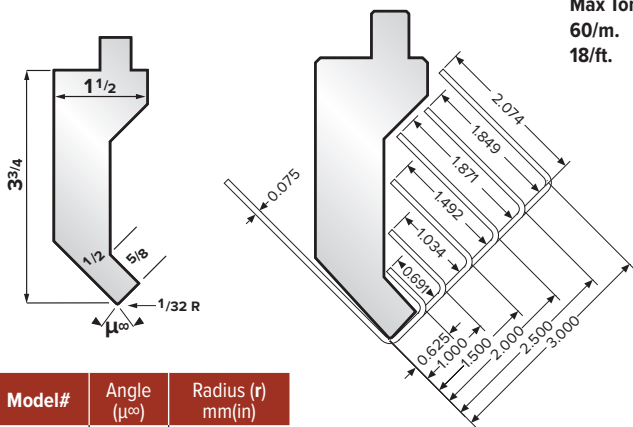
P-GN2



Max Tons:
40/m.
12/ft.

Model#	Angle (μ°)	Radius (r) mm(in)
P-GN2	80	0.4(0.016)

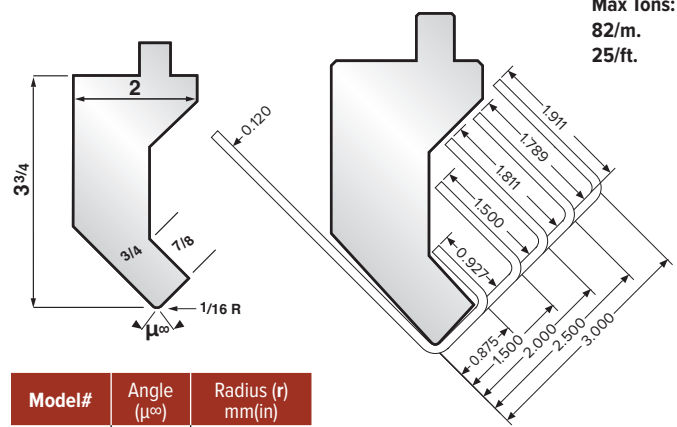
P-GN3



Max Tons:
60/m.
18/ft.

Model#	Angle (μ°)	Radius (r) mm(in)
P-GN3	80	0.8(0.035)

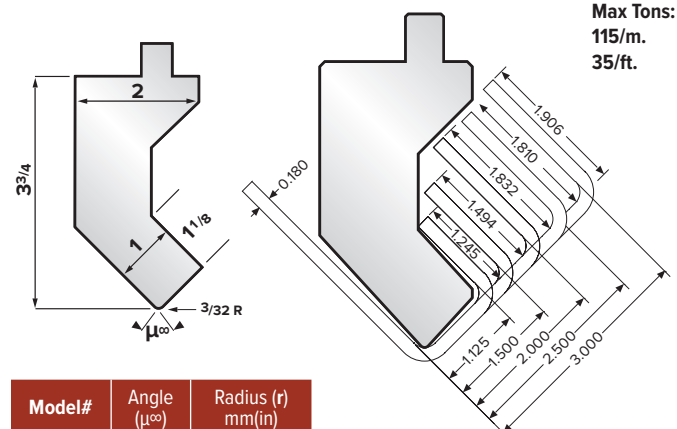
P-GN4



Max Tons:
82/m.
25/ft.

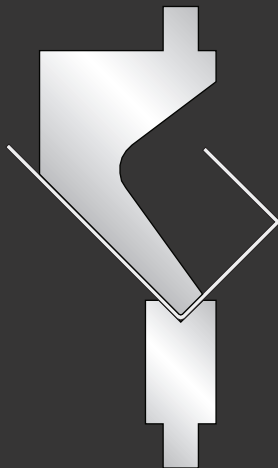
Model#	Angle (μ°)	Radius (r) mm(in)
P-GN4	80	1.6(0.065)

P-GN5



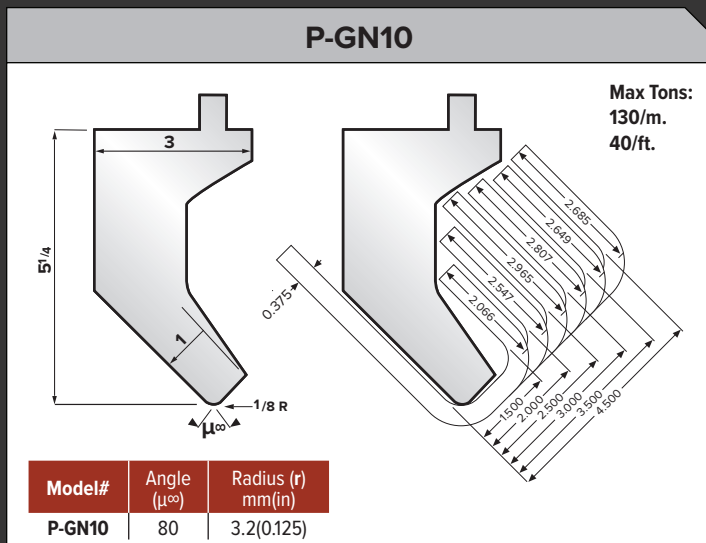
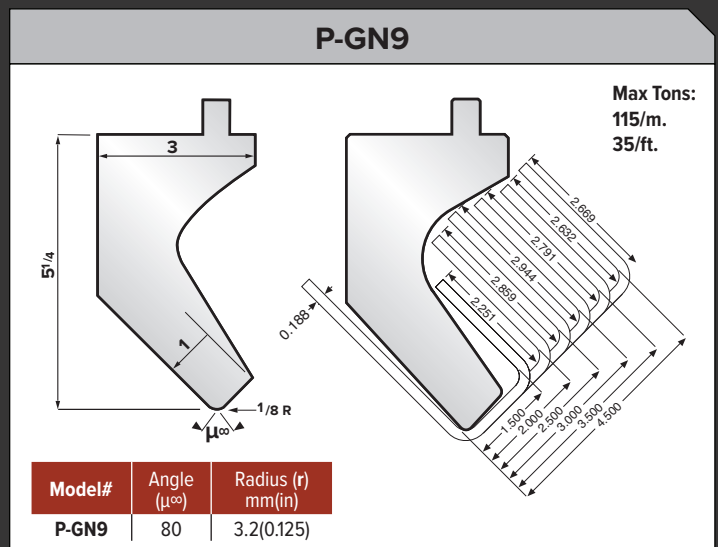
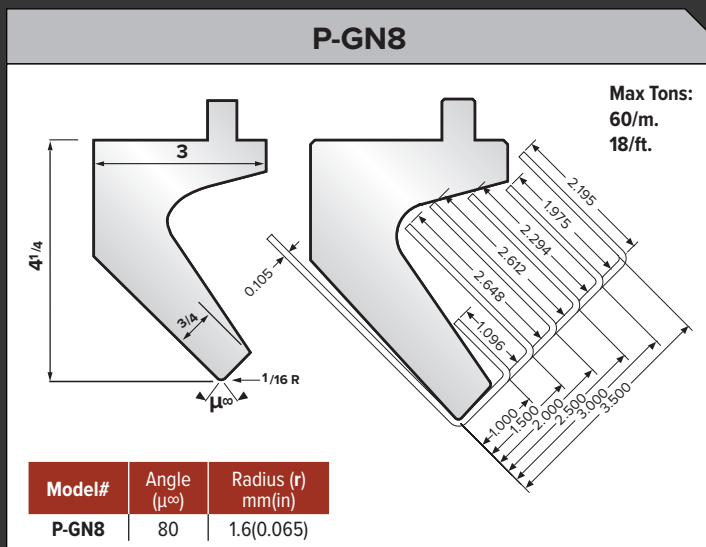
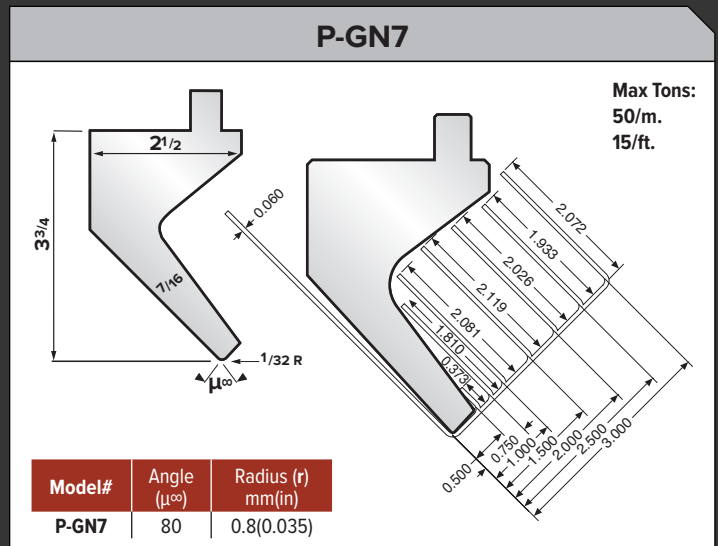
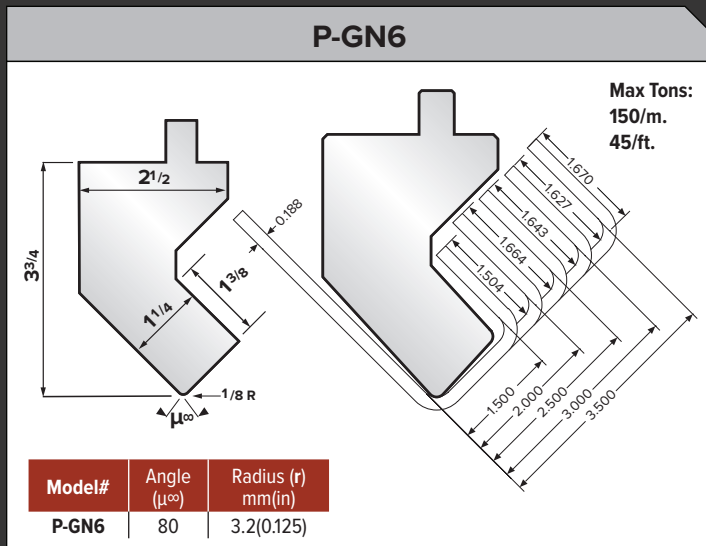
Max Tons:
115/m.
35/ft.

Model#	Angle (μ°)	Radius (r) mm(in)
P-GN5	80	2.4(0.093)



PRECISION GOOSENECK PUNCHES

P-GN7, P-GN8 and P-GN9 punches are cut back further beyond the centerline for a greater flange.



DEALER SUPPORT NETWORK

Accurpress Sales & Service is provided by an Authorized Dealer Network. All of our Dealers are factory trained and supported to provide you with knowledgeable competent, and local service



For more information about our products, please refer to our comprehensive brochures or visit our site www accurpress.com

ACCURPRESS

PRECISION FORMING SYSTEMS