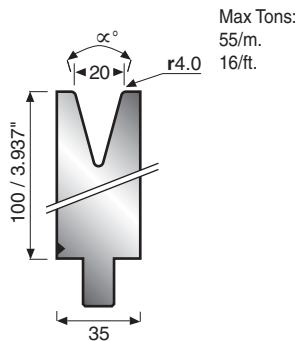


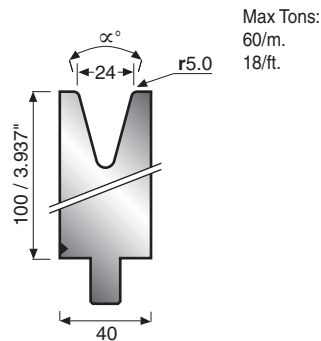
Dies

OZU-363



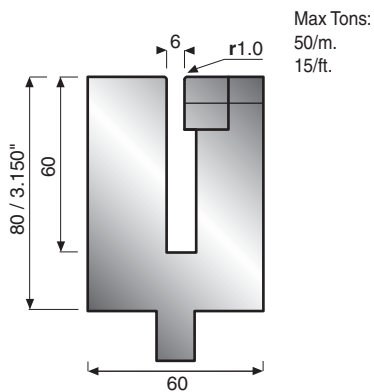
Model#	Angle (α°)	Radius (r) mm(in)
OZU-363	30	4.0(0.157)

OZU-354



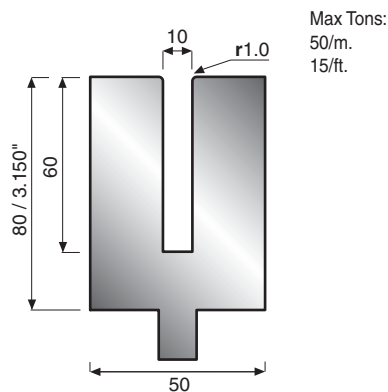
Model#	Angle (α°)	Radius (r) mm(in)
OZU-354	30	5.0(0.197)

OZU-082



Model#	Opening mm(in)	Radius (r) mm(in)
OZU-082	6.0(0.236)	1.0(0.039)

OZU-081



Model#	Opening mm(in)	Radius (r) mm(in)
OZU-081	10.0(0.394)	1.0(0.039)

See **Die Holders** on pages 34 and 35.