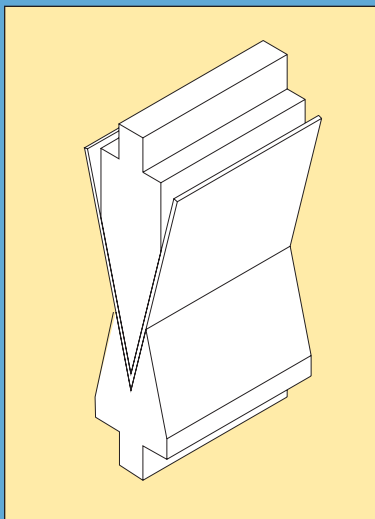


# 30° Forming Punches & Dies



These dies are used for forming acute angle bends in 22 gauge through to 3/16".

